



## AVK SUPA PLUS™ ADAPTOR

623/10

Flange adaptor with tensile resistant sealing ring for PE-pipe  
For Polyethylene pipes PE100, PN16 -SDR11 to AS/NZ 4130  
Flanges to AS 4087 Fig. B5 / AS 2129 Tables D and E

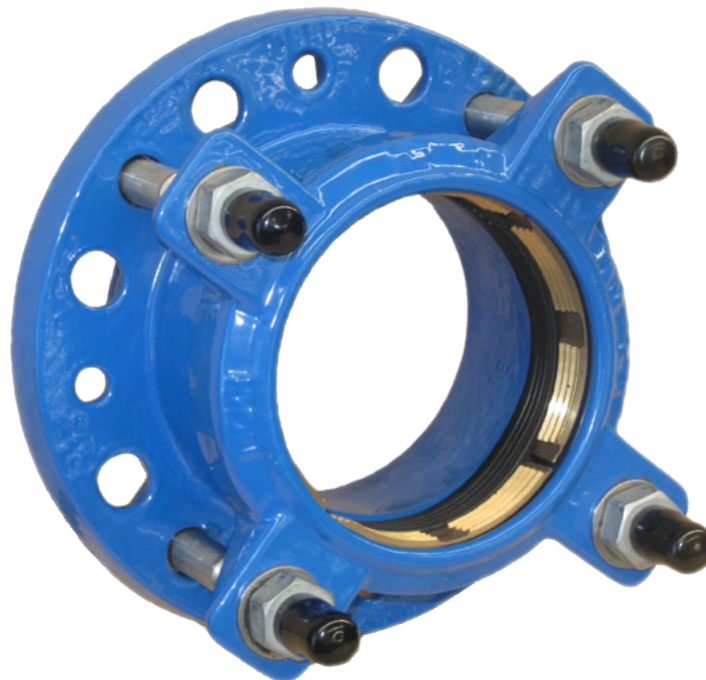
### Use:

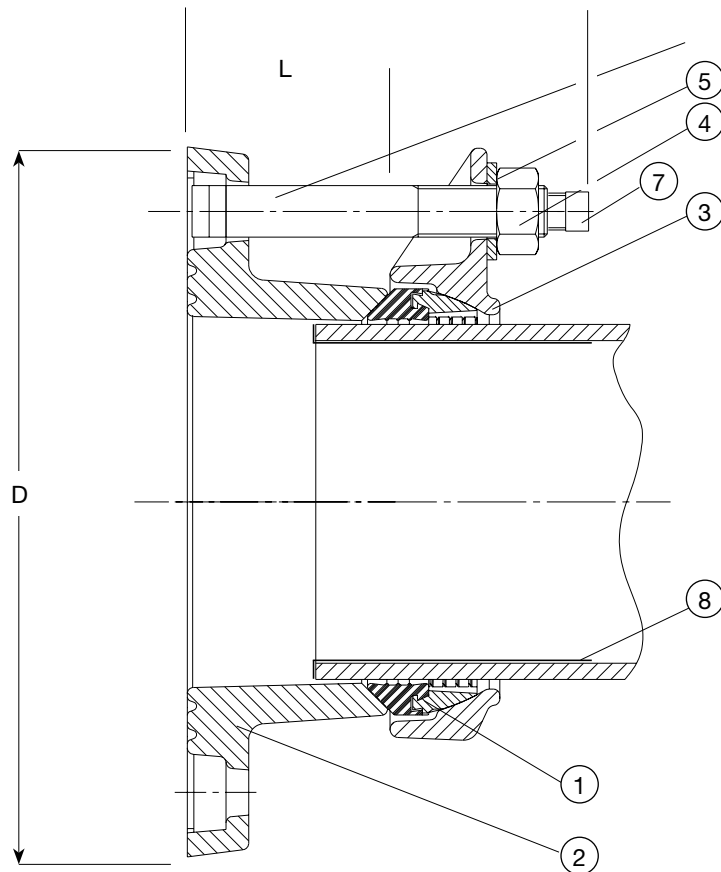
- For water, sewage and neutral liquids
- Total angular deflection of  $\pm 3.5$  degrees
- For use in cold water applications

### Approvals:

- Coating to AS 4020
- EPDM to WRAS

- AVK always recommend the series 05 support bush be utilised when using Polyethylene pipe systems and AVK tensile resistant sealing ring (Supa Plus™) fittings and valves.





**Component list**

1. Tensile sealing ring	Gun metal, DIN 17005 RG5/EPDM rubber
2. Adaptor flange	Ductile Iron, AS 1831 Gr. 400-12 min.
3. Bracket	Ductile Iron, AS 1831 Gr. 400-12 min.
4. Hex. nut	Stainless Steel (AISI 316), A4 grade 70 PTFE coated
5. Washer	Stainless Steel, A2 grade 70
6. Rectangular bolt	Stainless Steel, A2 grade 70
7. Cap	Plastic
8. Support bush	Stainless Steel 316

Components can be substituted with equivalent or higher class materials.

**Reference nos. and dimensions**

AVK ref. nos.	DN flange	OD PE	Bolts	L mm	Theoretic weight kg	Flange drilling**	D mm	L1 mm	SUPPORT BUSH PE100, PN16 - SDR 11 ref. nos.
623-10-090-054112	80	90	2M16	62	4.7	4&5	175	125	05-090-54001
623-10-110-054112	100	110	4M16	63	6.6	4&5	215	125	05-110-74001
623-10-125-024112	100	125	4M16	63	6.8	2	240	125	05-125-74001
623-10-125-054112	125	125	4M16	63	6.8	4&5	250	125	05-125-74001
623-10-140-054112	125	140	4M16	63	6.9	4&5	250	125	05-140-74001
623-10-160-054112	150	160	4M16	63	8.2	4&5	280	125	05-160-74001
623-10-180-054112	150	180	4M16	63	10.0	4&5	280	160	05-180-74001
623-10-200-054112	200	200	8M16	64	14.1	4&5	340	125	05-200-74001
623-10-225-054112	200	225	8M16	88	15.1	4&5	405	160	05-225-74001
623-10-250-054112	250	250	6M16	88	24.5	4	405	175	05-250-74001
632-10-250-064112	250	250	6M16	88	24.5	5	405	175	05-250-74001
623-10-280-054112	250	280	6M16	88	25.0	4	405	175	05-280-74001
623-10-280-064112	250	280	6M16	88	25.0	5	405	175	05-280-74001
623-10-315-054112	300	315	6M16	88	28.6	4&5	460	175	05-315-74001