



## AVK FLANGED OFFTAKE CLAMP PN16

748

Flanged repair clamps, PN16, DN100 to DN450 (470mm OD)  
Flanged repair clamps range DN100 to DN900  
Offtake sizes DN80 to DN300 (depending on host pipe size)  
For use on Cast Iron, Ductile Iron, Steel, PVC-U, PVC-M, AC and copper pipes  
Flange drilling, PN16 to AS 4087 with Table C/D, compatible drilling (AS 2129)  
Range extends beyond DN450  
Not recommended for use with HDPE, PVC-O  
For sizes and configurations not listed, please contact AVK

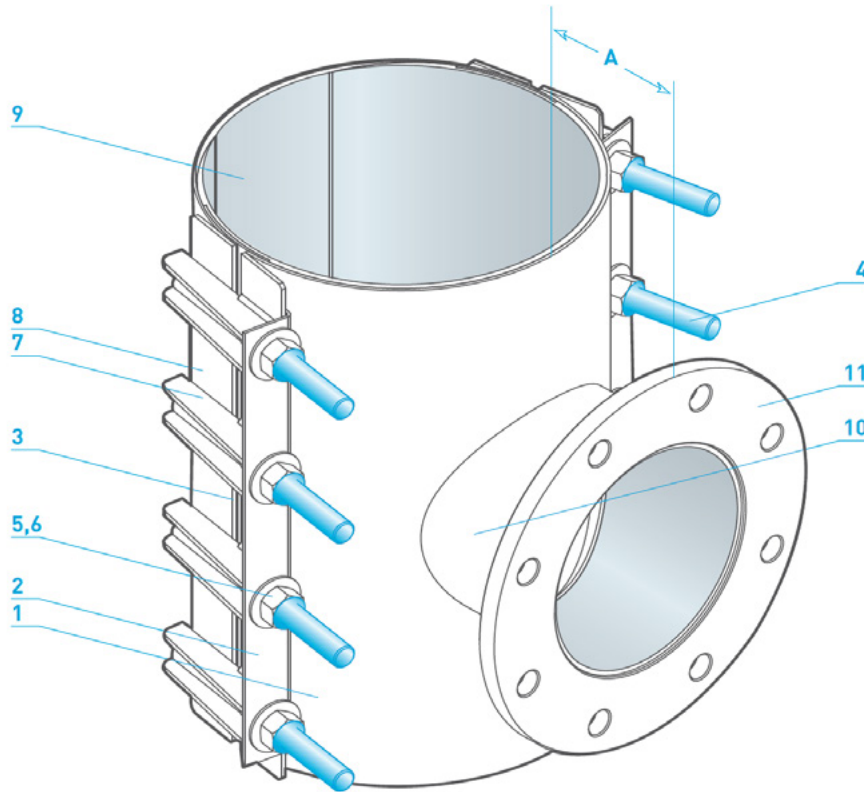
### Use:

- Pipelines used in water reticulation, sewage, wastewater and irrigation
- Temperature range from -10°C to 60°C
- 16 bar / 160 metres allowable operating pressure (AOP) to DN450
- Suitable for applications with pipe stiffness above SN 10,000
- This product does not provide axial pipe restraint
- For size on size tapplings, it is recommended to use the next lowest DN sized shell cutter, in accordance with WSAA under pressure tapping code of practice

### Standards and Approvals:

- Manufacturing facility certified to ISO 9001 quality assurance standard
- Fully conforming to AS/NZS 4181-2013 Stainless Steel clamps for waterworks purposes
- Standards Licence Mark SMK 1785 to AS/NZS 4181-2013





**Component list**

1. Skin	316 Stainless Steel / ASTM A240M	7. Lugs	316 Stainless Steel / ASTM A276
2. Locking plate	316 Stainless Steel / ASTM A240M	8. Flats	316 Stainless Steel / ASTM A276
3. Bridge plate	316 Stainless Steel bonded to gasket / ASTM A240M	9. Sealing gasket	Full-circle nitrile (NBR) compound AS 1646 and AS/NZS 4020
4. Studs	316 Stainless Steel - anti-galling compound coated / ASTM A276	10. Offtake pipe	316 Stainless Steel / ASTM A312M or ASME B36.19M
5. Nuts	316 Stainless Steel - anti-galling compound coated / AS 1112.1	11. Offtake flange	316 Stainless Steel / ASTM A240M or A182, AS 4087
6. Washers	316 Stainless Steel / ISO 7089		

Components can be substituted with equivalent or higher class materials.

**Reference nos. and dimensions**

AVK ref. nos.	DN mm	PN	Material	Clamp length mm	Offtake Size mm	Sealing range	No. of parts	No of Studs	Offtake
748-912-011004-00-108	100	PN16	316SS	400L	080	110-120	2	8	AS4087
748-912-011004-00-110	100	PN16	316SS	400L	100	110-120	2	8	AS4087
748-912-011004-00-110	100	PN16	316SS	400L	100	110-120	2	8	AS4087
748-912-012004-00-108	100	PN16	316SS	400L	080	120-130	2	8	AS4087
748-912-012004-00-110	100	PN16	316SS	400L	100	120-130	2	8	AS4087
748-912-013504-00-110	125	PN16	316SS	400L	100	135-145	2	8	AS4087
748-912-014004-00-108	125	PN16	316SS	400L	080	140-150	2	8	AS4087
748-912-014004-00-110	125	PN16	316SS	400L	100	140-150	2	8	AS4087
748-912-015004-00-108	150	PN16	316SS	400L	080	150-160	2	8	AS4087
748-912-015004-00-110	150	PN16	316SS	400L	100	150-160	2	8	AS4087
748-912-016004-00-105	150	PN16	316SS	400L	050	160-170	2	8	AS4087
748-912-016004-00-106	150	PN16	316SS	400L	065	160-170	2	8	AS4087
748-912-016004-00-108	150	PN16	316SS	400L	080	160-170	2	8	AS4087
748-912-016004-00-110	150	PN16	316SS	400L	100	160-170	2	8	AS4087
748-912-016004-00-115	150	PN16	316SS	400L	150	160-170	2	8	AS4087
748-912-017504-00-106	150	PN16	316SS	400L	065	175-185	2	8	AS4087
748-912-017504-00-108	150	PN16	316SS	400L	080	175-185	2	8	AS4087

AVK ref. nos.	DN mm	PN	Material	Clamp length mm	Offtake Size mm	Sealing range	No. of parts	No of Studs	Offtake
748-912-017504-00-110	150	PN16	316SS	400L	100	175-185	2	8	AS4087
748-912-020004-00-108	200	PN16	316SS	400L	080	200-210	2	8	AS4087
748-912-020004-00-110	200	PN16	316SS	400L	100	200-210	2	8	AS4087
748-912-020004-00-115	200	PN16	316SS	400L	150	200-210	2	8	AS4087
748-912-021004-00-110	200	PN16	316SS	400L	100	210-220	2	8	AS4087
748-912-021504-00-108	200	PN16	316SS	400L	080	215-225	2	8	AS4087
748-912-021504-00-110	200	PN16	316SS	400L	100	215-225	2	8	AS4087
748-912-021504-00-115	200	PN16	316SS	400L	150	215-225	2	8	AS4087
748-912-021504-07-210	200	PN14	316SS	400L	100	215-225	2	8	Table E
748-912-022504-00-105	200	PN16	316SS	400L	050	225-235	2	8	AS4087
748-912-022506-00-110	200	PN16	316SS	600L	100	225-235	2	14	AS4087
748-912-022508-00-115	200	PN16	316SS	800L	150	225-235	2	20	AS4087
748-912-023004-00-108	200	PN16	316SS	400L	080	230-240	2	8	AS4087
748-912-023004-00-110	200	PN16	316SS	400L	100	230-240	2	8	AS4087
748-912-023004-00-115	200	PN16	316SS	400L	150	230-240	2	8	AS4087
748-912-023006-00-120	200	PN16	316SS	600L	200	230-240	2	14	AS4087
748-912-025004-00-108	225	PN16	316SS	400L	080	250-260	2	8	AS4087
748-912-025004-00-110	225	PN16	316SS	400L	100	250-260	2	8	AS4087
748-912-025004-00-115	225	PN16	316SS	400L	150	250-260	2	8	AS4087
748-912-025006-00-110	225	PN16	316SS	600L	100	250-260	2	14	AS4087
748-912-025006-00-115	225	PN16	316SS	600L	150	250-260	2	14	AS4087
748-912-025006-00-120	225	PN16	316SS	600L	200	250-260	2	14	AS4087
748-912-025006-00-122	225	PN16	316SS	600L	225	250-260	2	14	AS4087
748-912-026004-00-108	225	PN16	316SS	400L	080	260-270	2	8	AS4087
748-912-026004-00-110	225	PN16	316SS	400L	100	260-270	2	8	AS4087
748-912-026004-00-115	225	PN16	316SS	400L	150	260-270	2	8	AS4087
748-912-026006-00-120	225	PN16	316SS	600L	200	260-270	2	14	AS4087
748-912-026006-00-122	225	PN16	316SS	600L	225	260-270	2	14	AS4087
748-912-026506-00-122	225	PN16	316SS	600L	225	265-275	2	14	AS4087
748-912-027004-00-108	250	PN16	316SS	400L	080	270-280	2	8	AS4087
748-912-027004-00-110	250	PN16	316SS	400L	100	270-280	2	8	AS4087
748-912-027004-00-115	250	PN16	316SS	400L	150	270-280	2	8	AS4087
748-912-027006-00-120	250	PN16	316SS	600L	200	270-280	2	14	AS4087
748-912-027504-00-105	250	PN16	316SS	400L	050	275-285	2	8	AS4087
748-912-027504-00-106	250	PN16	316SS	400L	065	275-285	2	8	AS4087
748-912-027504-00-108	250	PN16	316SS	400L	080	275-285	2	8	AS4087
748-912-027504-00-110	250	PN16	316SS	400L	100	275-285	2	8	AS4087
748-912-027504-00-115	250	PN16	316SS	400L	150	275-285	2	8	AS4087
748-912-027506-00-120	250	PN16	316SS	600L	200	275-285	2	14	AS4087
748-912-027506-00-122	250	PN16	316SS	600L	225	275-285	2	14	AS4087
748-912-028006-00-110	250	PN16	316SS	600L	100	280-290	2	14	AS4087
748-912-028006-00-115	250	PN16	316SS	600L	150	280-290	2	14	AS4087
748-912-028504-00-108	250	PN16	316SS	400L	080	285-295	2	8	AS4087
748-912-028504-00-110	250	PN16	316SS	400L	100	285-295	2	8	AS4087
748-912-028504-00-115	250	PN16	316SS	400L	150	285-295	2	8	AS4087
748-912-028506-00-120	250	PN16	316SS	600L	200	285-295	2	14	AS4087
748-912-028506-00-122	250	PN16	316SS	600L	225	285-295	2	14	AS4087
748-912-028506-00-125	250	PN16	316SS	600L	250	285-295	2	14	AS4087
748-912-029006-00-125	250	PN16	316SS	600L	250	290-300	2	14	AS4087
748-912-029504-00-110	250	PN16	316SS	400L	100	295-305	2	8	AS4087
748-912-031004-00-108	300	PN16	316SS	400L	080	310-320	2	8	AS4087
748-912-031004-00-110	300	PN16	316SS	400L	100	310-320	2	8	AS4087
748-912-031004-00-115	300	PN16	316SS	400L	150	310-320	2	8	AS4087
748-912-031006-00-115	300	PN16	316SS	600L	150	310-320	2	14	AS4087
748-912-031006-00-120	300	PN16	316SS	600L	200	310-320	2	14	AS4087
748-912-031006-00-122	300	PN16	316SS	600L	225	310-320	2	14	AS4087
748-912-031006-00-125	300	PN16	316SS	600L	250	310-320	2	14	AS4087
748-912-032004-00-108	300	PN16	316SS	400L	080	320-330	2	8	AS4087
748-912-032004-00-110	300	PN16	316SS	400L	100	320-330	2	8	AS4087
748-912-032004-00-115	300	PN16	316SS	400L	150	320-330	2	8	AS4087
748-912-032006-00-120	300	PN16	316SS	600L	200	320-330	2	14	AS4087
748-912-032006-00-125	300	PN16	316SS	600L	250	320-330	2	14	AS4087
748-912-033004-00-108	300	PN16	316SS	400L	080	330-340	2	8	AS4087
748-912-033004-00-110	300	PN16	316SS	400L	100	330-340	2	8	AS4087
748-912-033004-00-115	300	PN16	316SS	400L	150	330-340	2	8	AS4087
748-912-033006-00-120	300	PN16	316SS	600L	200	330-340	2	14	AS4087
748-912-033006-00-122	300	PN16	316SS	600L	225	330-340	2	14	AS4087
748-912-033006-00-125	300	PN16	316SS	600L	250	330-340	2	14	AS4087
748-912-033008-00-130	300	PN16	316SS	800L	300	330-340	2	20	AS4087

AVK ref. nos.	DN mm	PN	Material	Clamp length mm	Offtake Size mm	Sealing range	No. of parts	No of Studs	Offtake
748-912-034004-00-108	300	PN16	316SS	400L	080	340-350	2	8	AS4087
748-912-034004-00-110	300	PN16	316SS	400L	100	340-350	2	8	AS4087
748-912-034004-00-115	300	PN16	316SS	400L	150	340-350	2	8	AS4087
748-912-034006-00-110	300	PN16	316SS	600L	100	340-350	2	14	AS4087
748-912-034006-00-115	300	PN16	316SS	600L	150	340-350	2	14	AS4087
748-912-034006-00-120	300	PN16	316SS	600L	200	340-350	2	14	AS4087
748-912-034006-00-122	300	PN16	316SS	600L	225	340-350	2	14	AS4087
748-912-034006-00-125	300	PN16	316SS	600L	250	340-350	2	14	AS4087
748-912-034008-00-122	300	PN16	316SS	800L	225	340-350	2	20	AS4087
748-912-034008-00-130	300	PN16	316SS	800L	300	340-350	2	20	AS4087
748-912-035004-00-105	300	PN16	316SS	400L	050	350-360	2	8	AS4087
748-912-035004-00-108	300	PN16	316SS	400L	080	350-360	2	8	AS4087
748-912-035004-00-110	300	PN16	316SS	400L	100	350-360	2	8	AS4087
748-912-035004-00-115	300	PN16	316SS	400L	150	350-360	2	8	AS4087
748-912-035006-00-120	300	PN16	316SS	600L	200	350-360	2	14	AS4087
748-912-035006-00-125	300	PN16	316SS	600L	250	350-360	2	14	AS4087
748-912-035504-00-105	300	PN16	316SS	400L	050	355-365	2	8	AS4087
748-912-035504-00-110	300	PN16	316SS	400L	100	355-365	2	8	AS4087
748-912-035506-00-115	300	PN16	316SS	600L	150	355-365	2	14	AS4087
748-912-035508-00-120	300	PN16	316SS	800L	200	355-365	2	20	AS4087
748-912-035508-00-122	300	PN16	316SS	800L	225	355-365	2	20	AS4087
748-912-036004-00-110	300	PN16	316SS	400L	100	360-370	2	8	AS4087
748-912-036004-00-115	300	PN16	316SS	400L	150	360-370	2	8	AS4087
748-912-036006-00-120	300	PN16	316SS	600L	200	360-370	2	14	AS4087
748-912-036504-00-110	300	PN16	316SS	400L	100	365-375	2	8	AS4087
748-912-036504-00-115	300	PN16	316SS	400L	150	365-375	2	8	AS4087
748-912-036508-00-130	300	PN16	316SS	800L	300	365-375	2	20	AS4087
748-912-037004-00-110	350	PN16	316SS	400L	100	370-380	2	8	AS4087
748-912-037006-00-120	350	PN16	316SS	600L	200	370-380	2	14	AS4087
748-912-037506-00-120	350	PN16	316SS	600L	200	375-385	2	14	AS4087
748-912-038004-00-110	350	PN16	316SS	400L	100	380-390	2	8	AS4087
748-912-038004-00-115	350	PN16	316SS	400L	150	380-390	2	8	AS4087
748-912-038006-00-120	350	PN16	316SS	600L	200	380-390	2	14	AS4087
748-912-038006-00-122	350	PN16	316SS	600L	225	380-390	2	14	AS4087
748-912-038006-00-125	350	PN16	316SS	600L	250	380-390	2	14	AS4087
748-912-039004-00-108	350	PN16	316SS	400L	080	390-400	2	8	AS4087
748-912-039004-00-110	350	PN16	316SS	400L	100	390-400	2	8	AS4087
748-912-039004-00-115	350	PN16	316SS	400L	150	390-400	2	8	AS4087
748-912-039006-00-120	350	PN16	316SS	600L	200	390-400	2	14	AS4087
748-912-039008-00-130	350	PN16	316SS	800L	300	390-400	2	20	AS4087
748-912-039506-00-122	350	PN16	316SS	600L	225	395-405	2	14	AS4087
748-912-040004-00-105	375	PN16	316SS	400L	050	400-410	2	10	AS4087
748-912-040004-00-108	375	PN16	316SS	400L	080	400-410	2	10	AS4087
748-912-040004-00-110	375	PN16	316SS	400L	100	400-410	2	10	AS4087
748-912-040004-00-115	375	PN16	316SS	400L	150	400-410	2	10	AS4087
748-912-040006-00-115	375	PN16	316SS	600L	150	400-410	2	14	AS4087
748-912-040006-00-120	375	PN16	316SS	600L	200	400-410	2	14	AS4087
748-912-040006-00-122	375	PN16	316SS	600L	225	400-410	2	14	AS4087
748-912-040006-00-125	375	PN16	316SS	600L	250	400-410	2	14	AS4087
748-912-040008-00-122	375	PN16	316SS	800L	225	400-410	2	20	AS4087
748-912-041004-00-105	375	PN16	316SS	400L	050	410-420	2	10	AS4087
748-912-041004-00-108	375	PN16	316SS	400L	080	410-420	2	10	AS4087
748-912-041004-00-110	375	PN16	316SS	400L	100	410-420	2	10	AS4087
748-912-041004-00-115	375	PN16	316SS	400L	150	410-420	2	10	AS4087
748-912-041006-00-120	375	PN16	316SS	600L	200	410-420	2	14	AS4087
748-912-041006-00-122	375	PN16	316SS	600L	225	410-420	2	14	AS4087
748-912-041006-00-125	375	PN16	316SS	600L	250	410-420	2	14	AS4087
748-912-041008-00-115	375	PN16	316SS	800L	150	410-420	2	20	AS4087
748-912-042004-00-108	375	PN16	316SS	400L	080	420-430	2	10	AS4087
748-912-042004-00-110	375	PN16	316SS	400L	100	420-430	2	10	AS4087
748-912-042004-00-115	375	PN16	316SS	400L	150	420-430	2	10	AS4087
748-912-042006-00-115	375	PN16	316SS	600L	150	420-430	2	14	AS4087
748-912-042006-00-120	375	PN16	316SS	600L	200	420-430	2	14	AS4087
748-912-042006-00-122	375	PN16	316SS	600L	225	420-430	2	14	AS4087
748-912-042006-00-125	375	PN16	316SS	600L	250	420-430	2	14	AS4087
748-912-042008-00-130	375	PN16	316SS	800L	300	420-430	2	20	AS4087
748-912-043004-00-108	400	PN16	316SS	400L	080	430-440	2	10	AS4087
748-912-043004-00-110	400	PN16	316SS	400L	100	430-440	2	10	AS4087
748-912-043006-00-120	400	PN16	316SS	600L	200	430-440	2	14	AS4087

AVK ref. nos.	DN mm	PN	Material	Clamp length mm	Offtake Size mm	Sealing range	No. of parts	No of Studs	Offtake
748-912-043006-00-125	400	PN16	316SS	600L	250	430-440	2	14	AS4087
748-912-044006-00-120	400	PN16	316SS	600L	200	440-450	2	14	AS4087
748-912-044006-00-125	400	PN16	316SS	600L	250	440-450	2	14	AS4087
748-912-044004-00-108	400	PN16	316SS	400L	080	440-450	2	10	AS4087
748-912-044004-00-110	400	PN16	316SS	400L	100	440-450	2	10	AS4087
748-912-044004-00-115	400	PN16	316SS	400L	150	440-450	2	10	AS4087
748-912-045008-00-125	400	PN16	316SS	800L	250	450-460	2	20	AS4087
748-912-045008-00-130	400	PN16	316SS	800L	300	450-460	2	20	AS4087
748-912-045010-00-130	400	PN16	316SS	1000L	300	450-460	2	24	AS4087
748-912-045006-00-120	400	PN16	316SS	600L	200	450-460	2	14	AS4087
748-912-045004-00-105	400	PN16	316SS	400L	050	450-460	2	10	AS4087
748-912-045004-00-110	400	PN16	316SS	400L	100	450-460	2	10	AS4087
748-912-045004-00-115	400	PN16	316SS	400L	150	450-460	2	10	AS4087
748-912-046006-00-120	400	PN16	316SS	600L	200	460-470	2	14	AS4087
748-912-046004-00-108	400	PN16	316SS	400L	080	460-470	2	10	AS4087
748-912-047004-00-115	450	PN16	316SS	400L	150	470-480	2	10	AS4087
748-912-048004-00-110	450	PN16	316SS	400L	100	480-490	2	10	AS4087
748-912-048004-00-115	450	PN16	316SS	400L	150	480-490	2	10	AS4087
748-912-048006-00-120	450	PN16	316SS	600L	200	480-490	2	14	AS4087
748-912-049004-00-105	450	PN16	316SS	400L	050	490-500	2	10	AS4087
748-912-049004-00-108	450	PN16	316SS	400L	080	490-500	2	10	AS4087
748-912-049004-00-110	450	PN16	316SS	400L	100	490-500	2	10	AS4087
748-912-049004-00-115	450	PN16	316SS	400L	150	490-500	2	10	AS4087
748-912-049006-00-110	450	PN16	316SS	600L	100	490-500	2	14	AS4087
748-912-049006-00-120	450	PN16	316SS	600L	200	490-500	2	14	AS4087
748-912-049006-00-122	450	PN16	316SS	600L	225	490-500	2	14	AS4087
748-913-049004-00-110	450	PN16	316SS	400L	100	490-500	3	15	AS4087
748-912-050004-00-108	450	PN16	316SS	400L	080	500-510	2	10	AS4087
748-912-050004-00-110	450	PN16	316SS	400L	100	500-510	2	10	AS4087
748-912-050004-00-115	450	PN16	316SS	400L	150	500-510	2	10	AS4087
748-912-050006-00-120	450	PN16	316SS	600L	200	500-510	2	14	AS4087
748-912-050006-00-122	450	PN16	316SS	600L	225	500-510	2	14	AS4087
748-912-050006-00-125	450	PN16	316SS	600L	250	500-510	2	14	AS4087
748-912-050008-00-130	450	PN16	316SS	800L	300	500-510	2	20	AS4087
748-912-050008-06-135	450	PN12	316SS	800L	350	500-510	2	20	AS4087
748-912-050010-00-122	450	PN16	316SS	1000L	225	500-510	2	24	AS4087
748-912-050504-00-110	450	PN16	316SS	400L	100	505-515	2	10	AS4087
748-912-050506-00-125	450	PN16	316SS	600L	250	505-515	2	14	AS4087
748-912-051004-06-110	450	PN12	316SS	400L	100	510-520	2	10	AS4087
748-912-051004-06-115	450	PN12	316SS	400L	150	510-520	3	15	AS4087
748-913-051008-06-130	450	PN12	316SS	800L	300	510-520	3	30	AS4087
748-913-053006-06-120	500	PN12	316SS	600L	200	530-540	3	21	AS4087
748-913-053008-06-130	500	PN12	316SS	800L	300	530-540	3	30	AS4087
748-913-053004-06-108	500	PN12	316SS	400L	080	530-540	3	15	AS4087
748-913-053004-06-110	500	PN12	316SS	400L	100	530-540	3	15	AS4087
748-913-053004-06-115	500	PN12	316SS	400L	150	530-540	3	15	AS4087
748-913-053006-06-115	500	PN12	316SS	600L	150	530-540	3	21	AS4087
748-913-054008-06-130	500	PN12	316SS	800L	300	540-550	3	30	AS4087
748-913-054004-06-108	500	PN12	316SS	400L	080	540-550	3	15	AS4087
748-913-054004-06-110	500	PN12	316SS	400L	100	540-550	3	15	AS4087
748-913-054004-06-115	500	PN12	316SS	400L	150	540-550	3	15	AS4087
748-913-054006-06-120	500	PN12	316SS	600L	200	540-550	3	21	AS4087
748-913-055004-06-110	500	PN12	316SS	400L	100	550-560	3	15	AS4087
748-913-055004-06-115	500	PN12	316SS	400L	150	550-560	3	15	AS4087
748-913-056004-06-105	500	PN12	316SS	400L	050	560-570	3	15	AS4087
748-913-056004-06-108	500	PN12	316SS	400L	080	560-570	3	15	AS4087
748-913-056004-06-110	500	PN12	316SS	400L	100	560-570	3	15	AS4087
748-913-056004-06-115	500	PN12	316SS	400L	150	560-570	3	15	AS4087
748-913-056006-06-120	500	PN12	316SS	600L	200	560-570	3	21	AS4087
748-913-056006-06-122	500	PN12	316SS	600L	225	560-570	3	21	AS4087
748-913-056006-06-125	500	PN12	316SS	600L	250	560-570	3	21	AS4087
748-913-056008-05-137	500	PN10	316SS	800L	375	560-570	3	30	AS4087
748-913-056008-06-122	500	PN12	316SS	800L	225	560-570	3	30	AS4087
748-913-056008-06-130	500	PN12	316SS	800L	300	560-570	3	30	AS4087
748-913-056010-06-125	500	PN12	316SS	1000L	250	560-570	3	36	AS4087
748-913-057004-06-108	525	PN12	316SS	400L	080	570-580	3	15	AS4087
748-913-057004-06-110	525	PN12	316SS	400L	100	570-580	3	15	AS4087
748-913-057004-06-115	525	PN12	316SS	400L	150	570-580	3	15	AS4087
748-913-057008-06-130	525	PN12	316SS	800L	300	570-580	3	30	AS4087

AVK ref. nos.	DN mm	PN	Material	Clamp length mm	Offtake Size mm	Sealing range	No. of parts	No of Studs	Offtake
748-913-058004-06-110	525	PN12	316SS	400L	100	580-590	3	15	AS4087
748-913-058004-06-115	525	PN12	316SS	400L	150	580-590	3	15	AS4087
748-913-058006-06-120	525	PN12	316SS	600L	200	580-590	3	21	AS4087
748-913-058006-06-122	525	PN12	316SS	600L	225	580-590	3	21	AS4087
748-913-058006-06-125	525	PN12	316SS	600L	250	580-590	3	21	AS4087
748-913-058008-06-130	525	PN12	316SS	800L	300	580-590	3	30	AS4087
748-913-058504-06-108	525	PN12	316SS	400L	080	585-595	3	15	AS4087
748-913-059004-06-110	525	PN12	316SS	400L	100	590-600	3	15	AS4087
748-913-059004-06-115	525	PN12	316SS	400L	150	590-600	3	15	AS4087
748-913-059006-06-120	525	PN12	316SS	600L	200	590-600	3	21	AS4087
748-913-059008-06-130	525	PN12	316SS	800L	300	590-600	3	30	AS4087
748-913-061004-00-108	600	PN16	316SS	400L	080	610-620	3	15	AS4087
748-913-061004-06-110	600	PN12	316SS	400L	100	610-620	3	15	AS4087
748-913-061004-06-115	600	PN12	316SS	400L	150	610-620	3	15	AS4087
748-913-061006-06-120	600	PN12	316SS	600L	200	610-620	3	21	AS4087
748-913-061008-05-130	600	PN10	316SS	800L	300	610-620	3	30	AS4087
748-913-063008-05-130	600	PN10	316SS	800L	300	630-640	3	30	AS4087
748-913-063004-05-108	600	PN10	316SS	400L	080	630-640	3	15	AS4087
748-913-063004-05-110	600	PN10	316SS	400L	100	630-640	3	15	AS4087
748-913-063004-05-115	600	PN10	316SS	400L	150	630-640	3	15	AS4087
748-913-063006-05-120	600	PN10	316SS	600L	200	630-640	3	21	AS4087
748-913-063006-05-125	600	PN10	316SS	600L	250	630-640	3	21	AS4087
748-913-065004-05-105	600	PN10	316SS	400L	050	650-660	3	15	AS4087
748-913-065004-05-108	600	PN10	316SS	400L	080	650-660	3	15	AS4087
748-913-065004-05-110	600	PN10	316SS	400L	100	650-660	3	15	AS4087
748-913-065004-05-115	600	PN10	316SS	400L	150	650-660	3	15	AS4087
748-913-065006-05-120	600	PN10	316SS	600L	200	650-660	3	21	AS4087
748-913-065006-05-125	600	PN10	316SS	600L	250	650-660	3	21	AS4087
748-913-066006-05-115	600	PN10	316SS	600L	150	660-670	3	21	AS4087
748-913-066006-05-122	600	PN10	316SS	600L	225	660-670	3	21	AS4087
748-913-066006-05-125	600	PN10	316SS	600L	250	660-670	3	21	AS4087
748-913-066006-06-120	600	PN12	316SS	600L	200	660-670	3	21	AS4087
748-913-066008-05-130	600	PN10	316SS	800L	300	660-670	3	30	AS4087
748-913-066504-05-108	600	PN10	316SS	400L	080	665-675	3	15	AS4087
748-913-066504-05-110	600	PN10	316SS	400L	100	665-675	3	15	AS4087
748-913-066504-05-115	600	PN10	316SS	400L	150	665-675	3	15	AS4087
748-913-066506-05-120	600	PN10	316SS	600L	200	665-675	3	21	AS4087
748-913-066506-05-125	600	PN10	316SS	600L	250	665-675	3	21	AS4087
748-913-066508-05-130	600	PN10	316SS	800L	300	665-675	3	30	AS4087
748-913-067006-06-120	600	PN12	316SS	600L	200	670-680	3	21	AS4087
748-913-069004-05-108	600	PN10	316SS	400L	080	690-700	3	15	AS4087
748-913-069004-05-110	600	PN10	316SS	400L	100	690-700	3	15	AS4087
748-913-069004-05-115	600	PN10	316SS	400L	150	690-700	3	15	AS4087
748-913-069006-05-120	600	PN10	316SS	600L	200	690-700	3	21	AS4087
748-913-069008-03-130	600	PN6	316SS	800L	300	690-700	3	30	AS4087
748-913-070008-03-130	600	PN6	316SS	800L	300	700-710	3	30	AS4087
748-913-071004-05-108	600	PN10	316SS	400L	080	710-720	3	15	AS4087
748-913-071004-05-110	600	PN10	316SS	400L	100	710-720	3	15	AS4087
748-913-071004-05-115	600	PN10	316SS	400L	150	710-720	3	15	AS4087
748-913-071006-05-120	600	PN10	316SS	600L	200	710-720	3	21	AS4087