



AVK ISOLATION VALVE PN16

29/00

Screw-down type isolation valve
 Outlet flange to AS 4087 B5 DN80 or DN100
 Inlet flange universally drilled AS 2129 Table D, DN80/DN100, slotted
 CC and ACC closure available

Use:

- For fire protection services, water and neutral liquid applications
 - Valve designed for use up to 70°C
 - Where applicable; for AS 4020 compliance, max temp = 40°C
- Note: Always observe pipe material recommended operating temperatures

Tests:

- Hydraulic test:
 - Seat: 16 bar
 - Body: 24 bar

Optional Extras:

- Combined with a spring hydrant or double Orifice air release valve



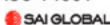
Quality
 ISO 9001



Health & Safety
 AS 4801



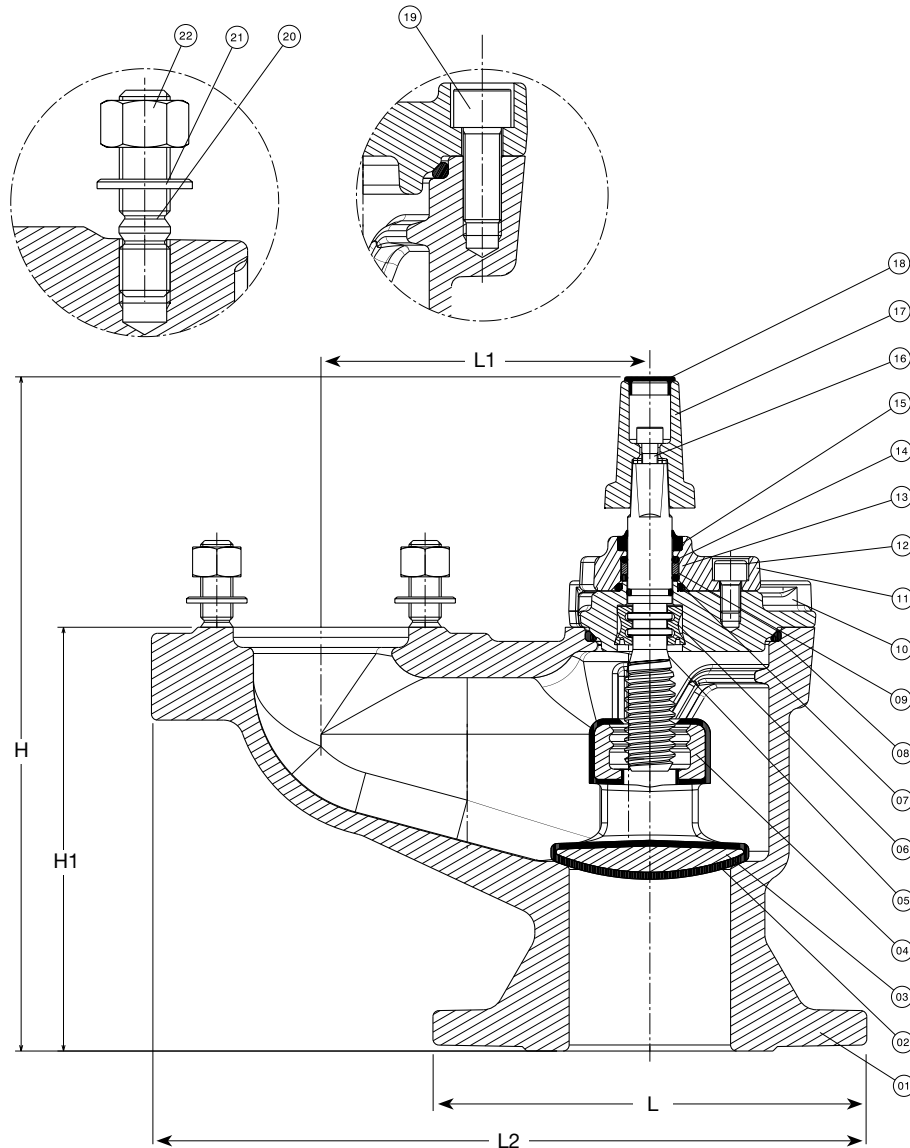
Environment
 ISO 14001



Combined with a spring hydrant



Combined with an air release valve



Component list

1. Body	Ductile Iron to AS 1831 Grade 500-7	11. Gland flange	Ductile Iron to AS 1831 Grade 500-7
2. Vulcanised stopper	Ductile Iron to AS 1831 Grade 500-7	12. Gland bolt	A4 Stainless steel
3. Stopper core	EPDM	13. Bushing	Polyamid
4. Stopper nut	Dezincification resistant brass CZ 132 to BS 2872	14. O-ring	NBR
5. Stem	Stainless Steel, AISI 316	15. Wiper ring	NBR
6. Stem collar	Dezincification resistant brass CZ 132 to BS 2872	16. Cap bolt	A4 Stainless Steel
7. Bonnet o-ring	NBR	17. Stem cap	Ductile Iron to AS 1831 Grade 400-15
8. O-ring	NBR	18. Insert	Polyamid
9. Gland o-ring	NBR	19. Bonnet bolt	A4 Stainless Steel
10. Bonnet	Ductile Iron to AS 1831 Grade 500-7	20. Stud bolt	A4 Stainless Steel
		21. Washer	A4 Stainless Steel
		22. Hexagon nut	A4 Stainless Steel

Components can be substituted with equivalent or higher class materials.

Reference nos. and dimensions

AVK ref. nos. CC	AVK ref. nos. ACC	DN mm	Inlet flange	Outlet flange	H1	H	L2	L1	L	Weight kg
29-085-0082113312	29-085-0083113312	80	80/100	80	210	334	355	163	215	21
29-085-0082123312	29-085-0083123312	80	80/100	100	210	334	355	163	215	21