

PVC PRESSURE SYSTEM

PVC-O



PDRAC12300

DN300 x 6m PN12.5 Apollo Cream Series 2 PVC-O Pipe Rieber RRJ

APPLICATION Used for above or below ground applications to convey sewerage in pressure applications

FEATURES

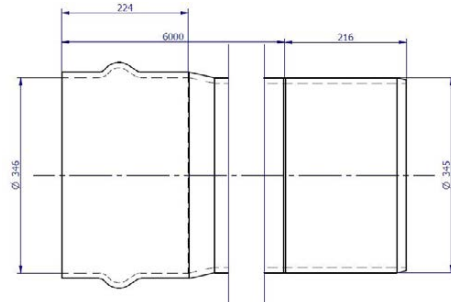
- Australian Made
- BEP PVC - Manufactured from Best Environmental Practice PVC
- Installation Economics
- Operation Efficiencies
- Corrosion Resistant

- Light weight
- Excellent Toughness and Ductility
- Large Internal Diameter and Smooth bore

TECHNICAL DATA

PRODUCT PROPERTIES

Primary Material	PVC-O
Colour	Cream
Joint Type	RRJ
Rubber Ring Material	EPDM
Allowable Operation Temperature - Degrees	50°C
Allowable Operating Pressure - 20°C	1200KPa
Average # of Joints per Litre – Iplex Lubricant	10
Unprotected UV Exposure (years)	2 Years
Maximum Diametric Deflection - 50 Years	7.50%
Minimum Radius of Curvature	90m
Socket Deflection	1°



PRODUCT DIMENSIONS

Category	Length	Socket Depth	224mm
Rating	PN12.5	Max Socket Nominal OD	398.7mm
Length	6m	Weight	98kg
Nominal	300mm	Crate Qty	6
ID	325.9mm	Crate Weight	588kg
Wall Thickness	9.5mm		

ENVIRONMENTAL CREDENTIALS AND STANDARDS

Environmental Accreditation	Best Environmental PVC - PVC Certificate No. BEP-PVC 0037
Product Standard	AS/NZS 441 "Orientated PVC (PVC-O) Pipes for Pressure Applications"
Standards Mark Certification	SMKP20188
WSAA Appraisal	PA1612

MATERIAL PROPERTIES

MECHANICAL

Density Specific Gravity	1.47
Ultimate Tensile Strength	52MPa
Yield Strain	5.5%
Compressive Strength	66MPa
Tensile Modulus	4000MPa
Hardness Shore D	85
Poissons Ratio	0.38
Design Stress	28MPa
Ring Bending Modulus (3mins)	4000MPa
Ring Bending Modulus (50Yrs)	1800MPa

THERMAL

Coefficient of Thermal Expansion	$7 \times 10^{-5} / ^\circ\text{C}$
Thermal Conductivity	0.138W/m.K
Specific Heat	1047 J/kg/°C
Vicat Softening Temperature	>79°C
Flammability	Will not support combustion
Fire Index – Ignitability	2
Fire Index – Smoke Development	8
Fire Index – Spread of Flame	0
Fire Index – Heat Evolved	2

©Copyright: Iplex Pty Ltd 2019 all rights reserved. All drawings and information contained thereon are the exclusive property of Iplex Pipelines. Unless specifically noted, this drawing and information enclosed are subject to change at any time. Measures are for reference purpose only. If critical please contact Iplex Pipelines.

