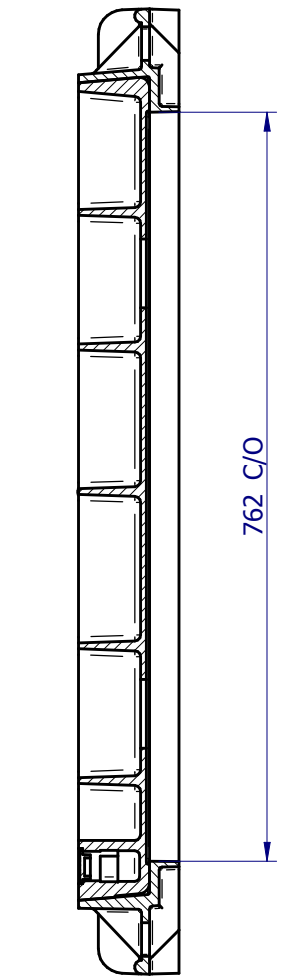
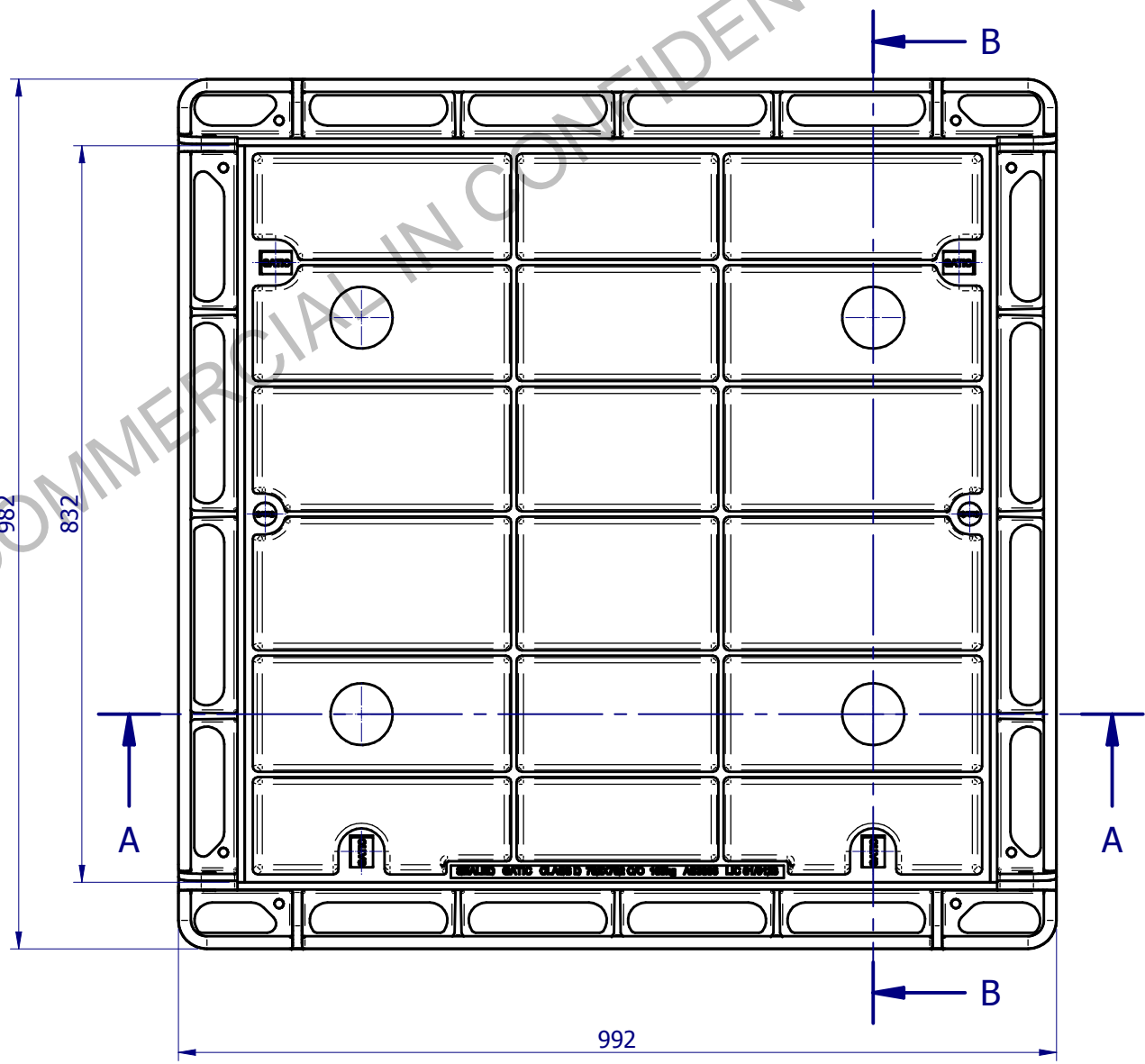
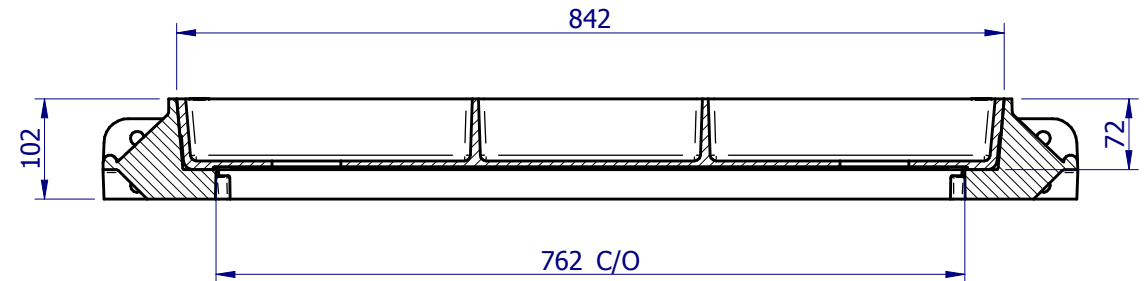
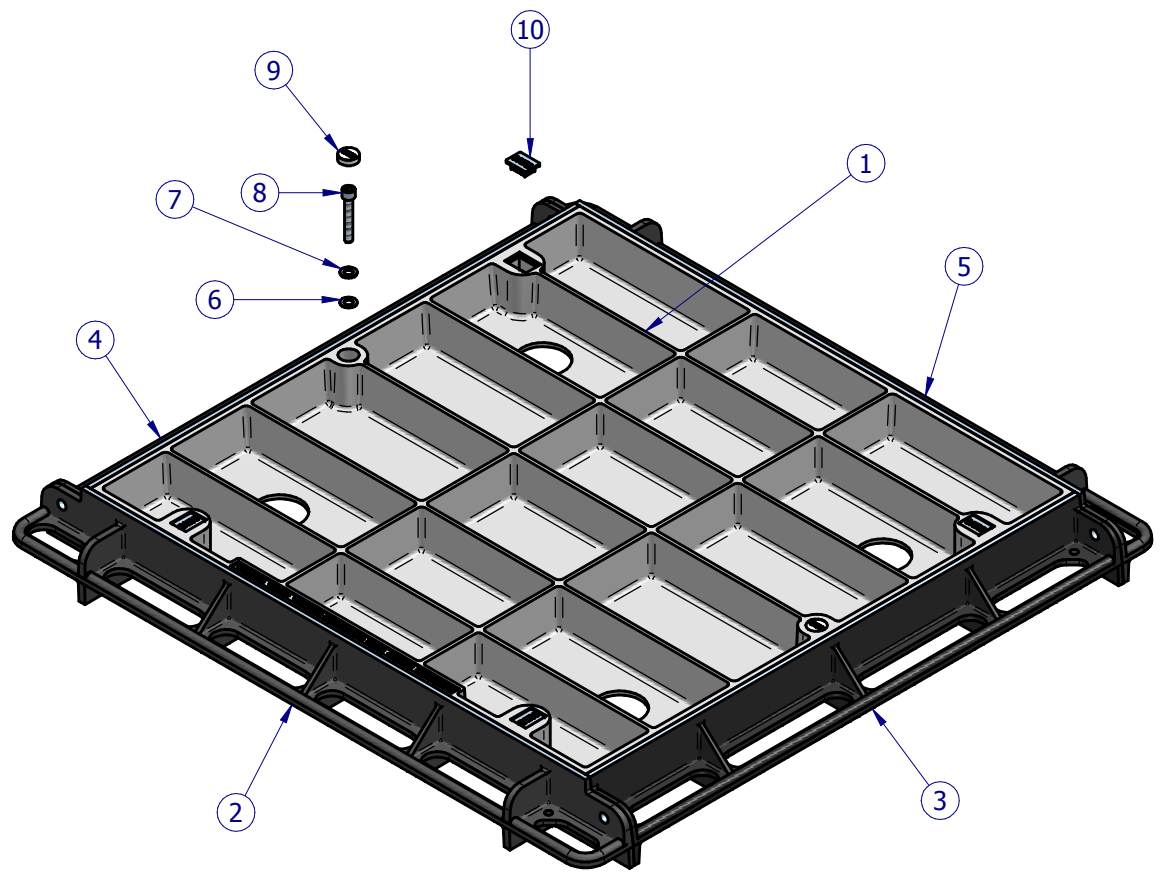


NOTE:  
8 ONLY OF M10x50 BOLTS  
REQUIRED FOR ASSEMBLY C/W  
WASHERS AND NUTS



SECTION B-B



SECTION A-A

Item No.	Document No.	Revision	Title	Material	Qty	Mass
1	1659	D	762x762 C/O Concrete Infill Cover Class D	Ductile Iron 500-7	1	72.3 kg
2	4008	B	762mm Draw Cut Bar Class D	Ductile Iron 500-7	1	13.5 kg
3	4011	C	762mm RH Side Bar Class D	Ductile Iron 500-7	1	11.9 kg
4	4009	C	762mm LH Side Bar Class D	Ductile Iron 500-7	1	12.0 kg
5	4012	B	762mm Under Cut Bar Class D	Ductile Iron 500-7	1	11.2 kg
6	2856	A	M10 Washer	Nylon, general purpose	2	0.0 kg
7	2855	A	M10 Washer	Stainless Steel, 304	2	0.0 kg
8	2857	A	M10x65 Socket Head Cap Bolt	Stainless Steel, 304	2	0.1 kg
9	2854	C	Plastic Plug Ø26 mm	UV Stabilized Nylon	2	0.0 kg
10	1681	A	Plastic Keyhole Plug	UV Stabilized Nylon	4	0.0 kg

Copyright : Gatic Pty Ltd - 2014

REVISION	No	DATE	DESCRIPTION	BY	CKD.
A	10-10-14	Initial Release		F.M.	S.S.

**UNLESS OTHERWISE STATED**  
ALL MEASURES IN MILLIMETERS.  
GENERAL CAST TOLERANCES:  
CT9 to ISO 8062.  
CASTING RADII: 3 mm  
DRAFT TAPERS: 2°

LINEAR MACHINING TOLERANCE:  
X. ±0.25 mm  
X.X ±0.10 mm

ANGULAR MACHINING TOLERANCE:  
X. ±0.5°  
X.X ±0.1°

NOM = Nominal; O/A = Overall; TYP = Typical; C/O = Clear Opening

**FINISH:** ALL CAST SURFACES TO BE PAINTED AS SPECIFIED. FABRICATED COMPONENTS TO BE HOT DIP GALVANISED TO AS4680. LIGHT FILM OF GATIC SEALING GREASE TO BE APPLIED ON ALL MACHINED SURFACES.

**GATIC**  
GATIC PTY LTD  
9-15 Radford Road, PO Box 312, Reservoir VIC. 3073  
Ph: 03 9316 2666 Fax: 03 9315 0099 www.gatic.com.au

THIRD ANGLE PROJECTION

DESIGNED:	BY	DATE
F.M.	F.M.	10-10-14
CHECKED:	BY	DATE
S.S.	S.S.	10-10-14
APPROVED:	BY	DATE
H.B.	H.B.	10-10-14

CODE: GM301C77D  
SCALE: N.T.S.  
FORMAT: A3  
SHEET: 1 of 1

TITLE: 762x762 C/O CONCRETE INFILL COVER & FRAME ASSEMBLY CLASS D  
MATERIAL: --  
DRG. No: 5040  
MASS: 121.1 kg  
REV: A