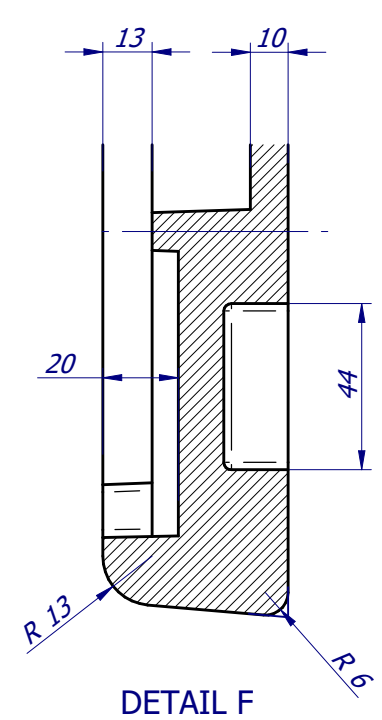
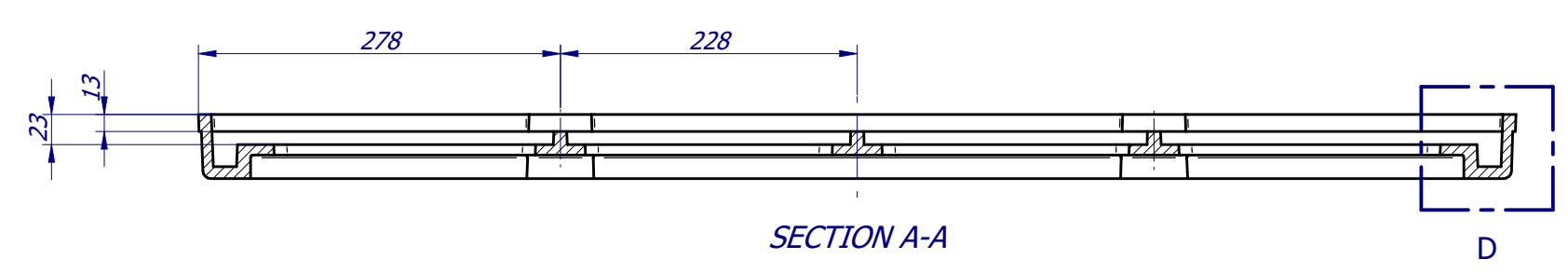


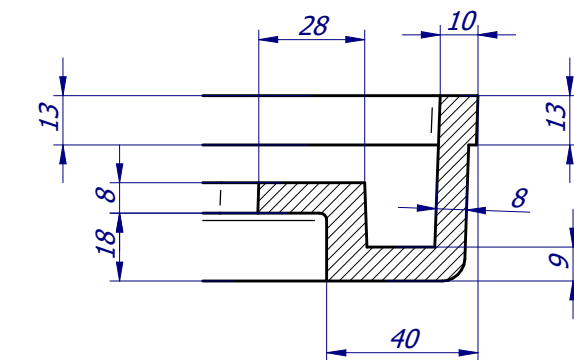
SECTION C-C



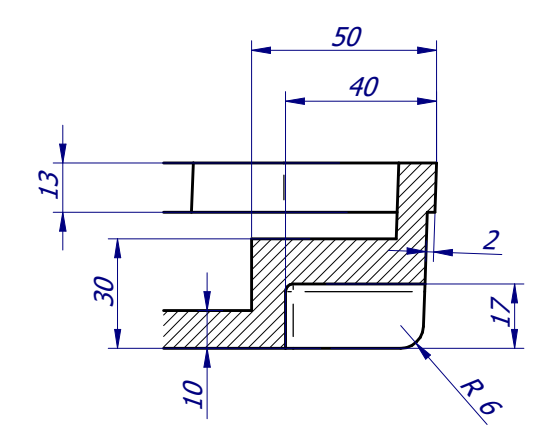
DETAIL F



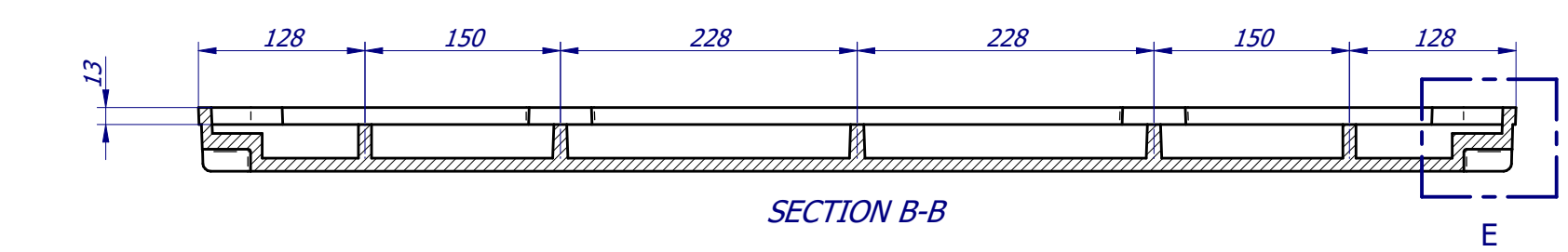
SECTION A-A



DETAIL D



DETAIL E



SECTION B-B

NOTES:
 - DRAWING ACCORDING TO OR-37-18
 - DRAFT TAPERS 2° U.N.O.

Copyright : Gatic Pty Ltd - 2013

REVISION	No	DATE	DESCRIPTION	BY	CKD.
A	XX-XX-13	INITIAL RELEASE.		F.M.	S.S.

UNLESS OTHERWISE STATED
 ALL MEASURES IN MILLIMETERS.
 GENERAL CAST TOLERANCES: CT9 to ISO 8062.
 CASTING RADII: 3 mm
 DRAFT TAPERS: 2°

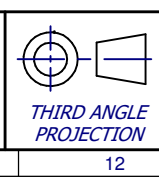
LINEAR MACHINING TOLERANCE:
 X. ±0.25 mm
 X.X ±0.10 mm

ANGULAR MACHINING TOLERANCE:
 X. ±0.5°
 X.X ±0.1°

NOM = Nominal; O/A = Overall; TYP = Typical; C/O = Clear Opening

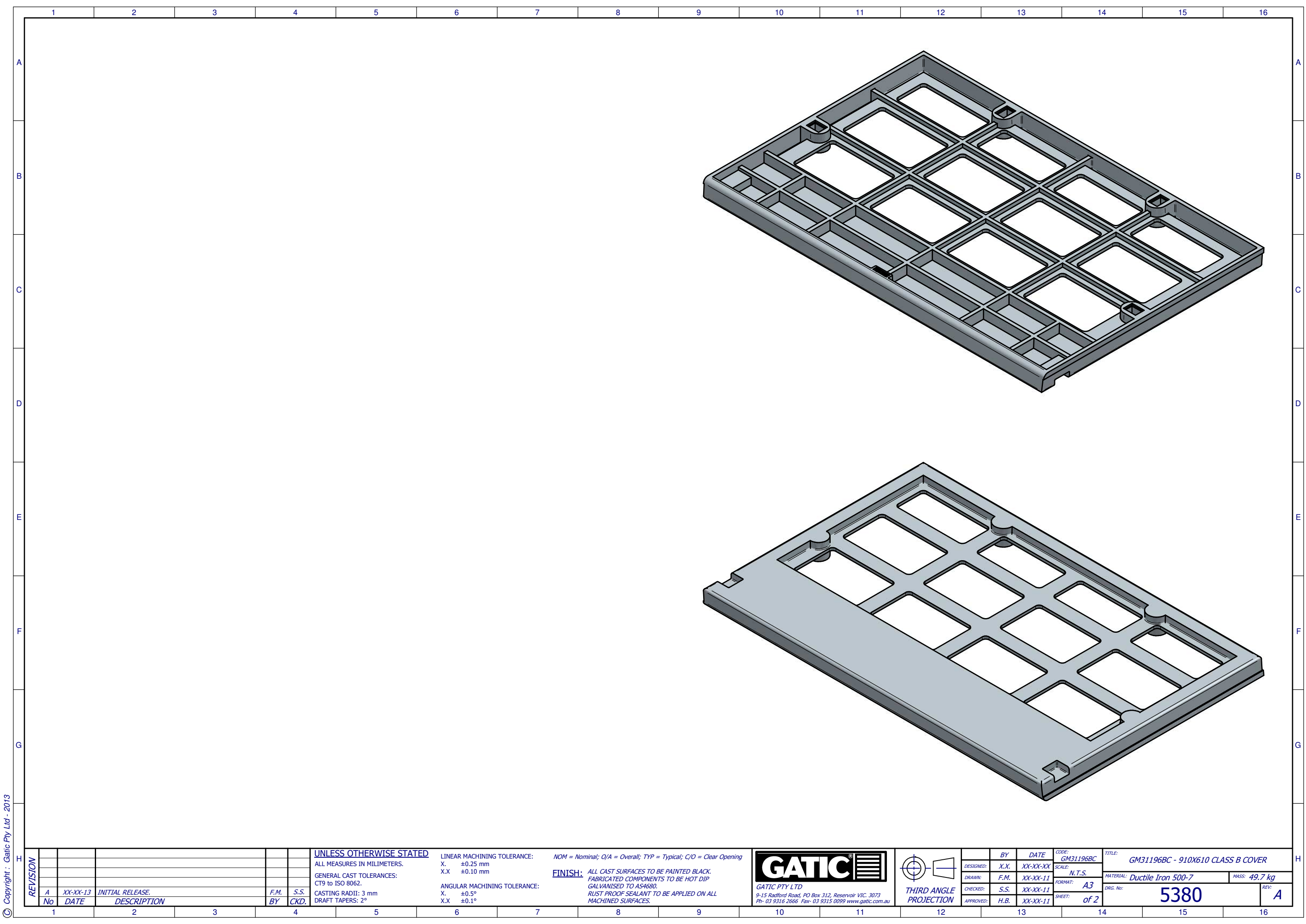
FINISH: ALL CAST SURFACES TO BE PAINTED BLACK. FABRICATED COMPONENTS TO BE HOT DIP GALVANISED TO AS4680. RUST PROOF SEALANT TO BE APPLIED ON ALL MACHINED SURFACES.

GATIC PTY LTD
 9-15 Radford Road, PO Box 312, Reservoir VIC. 3073
 Ph- 03 9316 2666 Fax- 03 9315 0099 www.gatic.com.au



DESIGNED:	BY	DATE	CODE:
X.X.	X.X.	XX-XX-XX	GM31196BC
F.M.	F.M.	XX-XX-11	N.T.S.
S.S.	S.S.	XX-XX-11	A3
H.B.	H.B.	XX-XX-11	1 of 2

TITLE:	DRG. No:	REV:
GM31196BC - 910X610 CLASS B COVER	5380	A
MATERIAL: Ductile Iron 500-7	MASS: 49.7 kg	



© Copyright : Gatic Pty Ltd - 2013

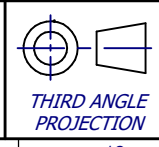
REVISION		F.M.		S.S.	
No	DATE	BY	CKD.		
A	XX-XX-13				

UNLESS OTHERWISE STATED
 ALL MEASURES IN MILLIMETERS.
 GENERAL CAST TOLERANCES:
 CT9 to ISO 8062.
 CASTING RADII: 3 mm
 DRAFT TAPERS: 2°

LINEAR MACHINING TOLERANCE:
 X. ±0.25 mm
 X.X ±0.10 mm
 ANGULAR MACHINING TOLERANCE:
 X. ±0.5°
 X.X ±0.1°

NOM = Nominal; O/A = Overall; TYP = Typical; C/O = Clear Opening
FINISH: ALL CAST SURFACES TO BE PAINTED BLACK.
 FABRICATED COMPONENTS TO BE HOT DIP GALVANISED TO AS4680.
 RUST PROOF SEALANT TO BE APPLIED ON ALL MACHINED SURFACES.

GATIC
 GATIC PTY LTD
 9-15 Radford Road, PO Box 312, Reservoir VIC. 3073
 Ph- 03 9316 2666 Fax- 03 9315 0099 www.gatic.com.au



DESIGNED:	X.X.	XX-XX-XX	CODE:	GM31196BC
DRAWN:	F.M.	XX-XX-11	SCALE:	N.T.S.
CHECKED:	S.S.	XX-XX-11	FORMAT:	A3
APPROVED:	H.B.	XX-XX-11	SHEET:	of 2

TITLE:	GM31196BC - 910X610 CLASS B COVER	
MATERIAL:	Ductile Iron 500-7	MASS: 49.7 kg
DRG. No:	5380	REV: A