



AVK UNIVERSAL FLANGE ADAPTOR PN16

603

Universal flange adaptor PN16
For Cast Iron, Ductile Iron, Steel, PVC-U, PVC-M, PVC-O, AC and copper pipes
Flange drillings suit AS 4087 Fig. B5 / AS 2129 Tables D and E

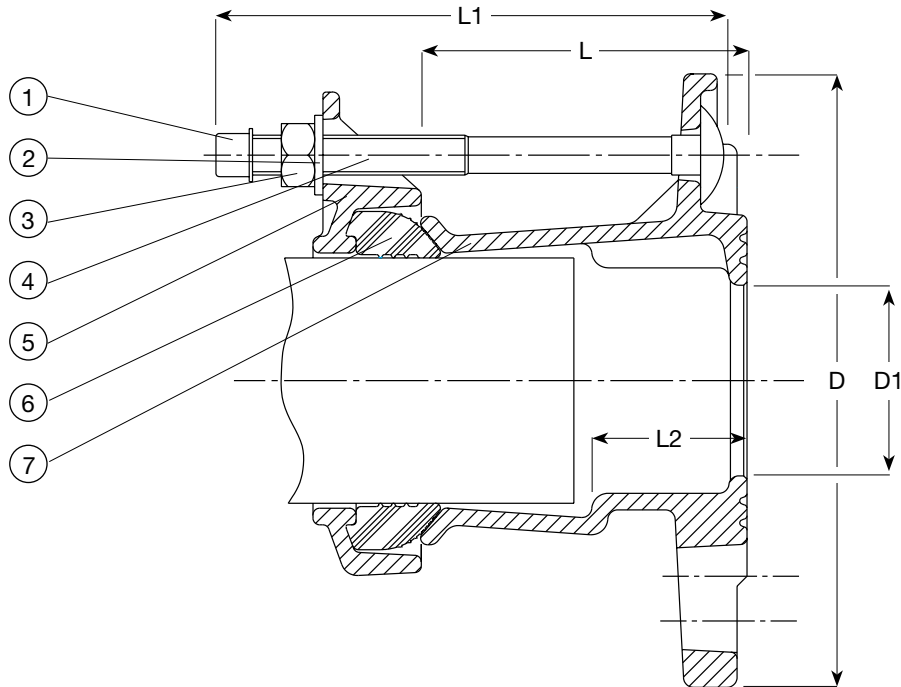
Use:

- For water and sewage application to max. 40°C
- Angular deflection of ± 4 degrees
- 16 bar / 160 metres allowable operating pressure (AOP)
- Non tensile
- This product provides no longitudinal joint restraint

Approvals:

- All materials are AS/NZS 4020 compliant
- Fully conforming to AS/NZS 4998:2009 bolted unrestrained mechanical coupling for waterworks purposes





Component list

1. End cap	Ductile Iron, AS 1831 Gr. 400-12 min.
2. Washer	Stainless Steel 316
3. Nut	Stainless Steel 316, PTFE coated
4. Bolt	Stainless Steel 316
5. Bracket	Ductile Iron, AS 1831 Gr. 400-12 min.
6. Rubber seal	Water: EPDM to AS/NZS 1646, AS/NZS 4020 compliant
7. Flange	Ductile Iron, AS 1831 Gr. 400-12 min.

Components can be substituted with equivalent or higher class materials.

Reference nos. and dimensions

AVK ref. nos.	Flange DN	L mm	L1 mm	L2 mm	D1 mm	D mm	Sealing range mm	Barrel bolts	Flange drilling	Weight kg
603-063000-4312	40/65*	98.5	145	47	48	165	46 - 63	4	B5, D & E	3.80
603-074000-4312	50/65*	98.5	145	47	50	165	57-74	4	B5, D & E	3.90
603-074001-4312	50/80*	98.5	145	47	60	185	57 - 74	4	B5, D & E	4.10
603-085000-4312	50/80*	98.5	145	47	60	185	68-85	4	B5, D & E	4.20
603-106000-4312	80	100	145	47	80	200	84 - 106	4	B5, D & E	5.00
603-106001-4312	80/100*	100	145	47	90	229	84 - 106	4	B5, D & E	5.30
603-119000-4312	100	100	145	25	100	229	99 - 119	4	B5, D & E	5.60
603-133000-4312	100	101	145	47	100	229	109 - 133	4	B5, D & E	5.80
603-133001-4312	100/125*	101	145	47	112.5	254	109 - 133	4	E	6.50
603-157000-4312	125/150*	115.5	170	52.5	137.5	285	132 - 157	4	B5, D & E	8.30
603-183000-4312	150	109	170	51.5	150	285	157 - 183	4	B5, D & E	8.30
603-201000-4312	150	112	170	52	150	285	176 - 201	4	B5, D & E	10.40
603-215000-4312	200	117	170	25	200	343	193 - 215	4	B5, D & E	11.60
603-242000-4312	200	117	170	53	200	343	218 - 242	4	B5, D & E	12.40
603-268000-4312	250	106.5	170	25	250	406	242 - 268	12	E	18.00
603-268003-4312	225/250*	118.5	170	53	250	405	242 - 268	8	B5 & D	17.00
603-292000-4312	250	106.5	170	58	250	406	266 - 292	12	E	18.30
603-292003-4312	250	118.5	170	54	250	405	266 - 292	8	B5 & D	17.85
603-327000-4312	300	119.5	170	60.5	300	483	301 - 327	6	B5, D & E	22.40
603-350000-4312	300	119.5	170	60.5	300	483	324 - 350	6	B5, D & E	24.00
603-410003-4312	375	157	210	54	375	550	384 - 410	12	B5, D & E	29.50
603-436003-4312	375	161	210	57.5	375	550	410 - 436	12	B5, D & E	28.05
603-462003-4312	400	161	210	57.5	400	580	436 - 462	12	B5, D & E	31.85

* denotes slotted flange drilling