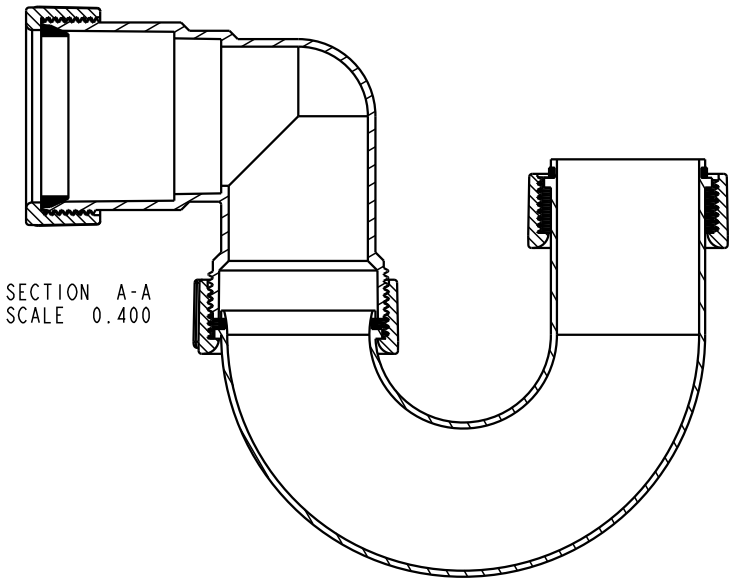
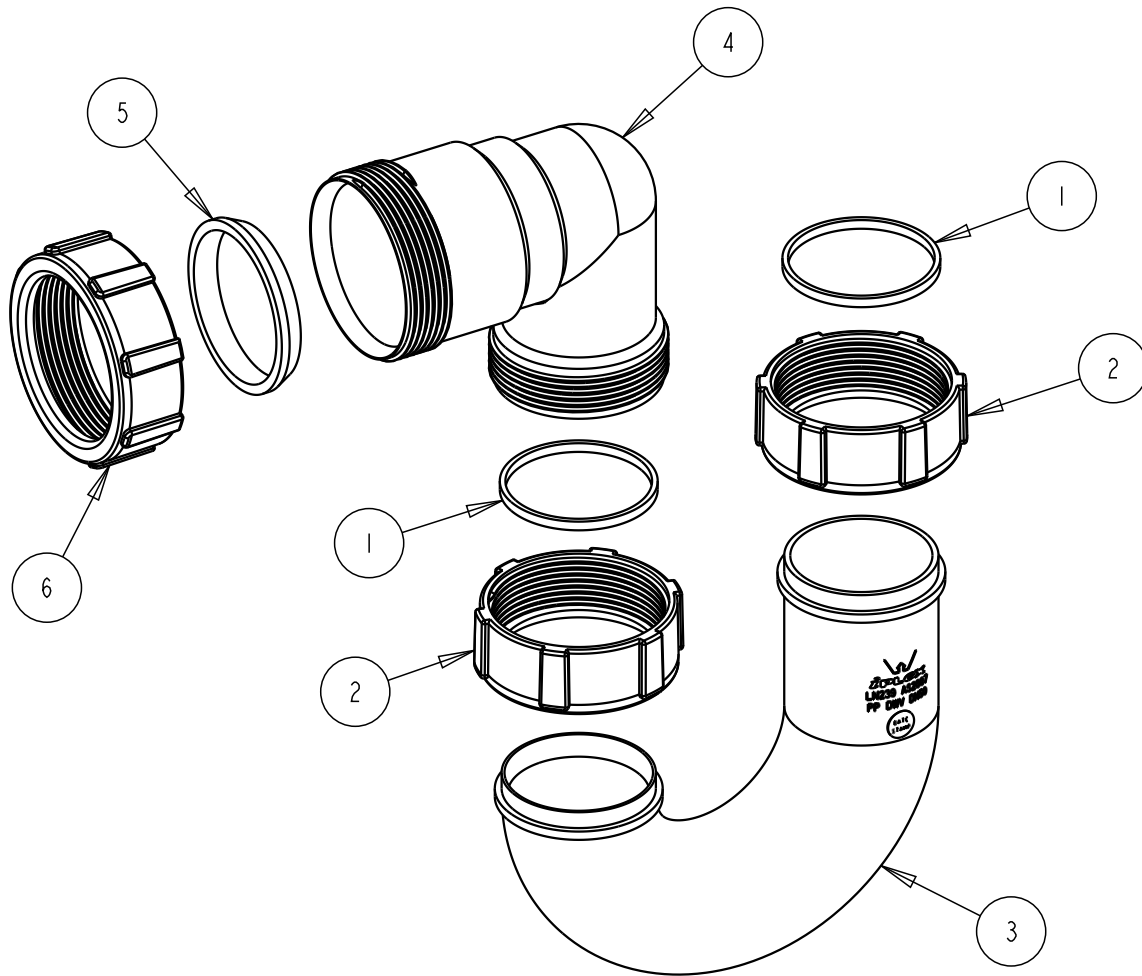




ITEM	Drg.No.	DESCRIPTION	QTY
1	16620	50mm x 3.5 Seal	2
2	16627	50mm TRAP NUT	2
3	19792	IPLEX 50mm MID HEIGHT INLET BEND	1
4	17598	50mm ELBOW FOR P TRAP	1
5	15524	50mm TAPER SEAL	1
6	16628	NUT TO SUIT 50MM PIPE	1



A	RELEASE FOR PRODUCTION	21:1:20
ISSUE	CHANGE	DATE
 <b>PLASTEC</b> INNOVATIVE PLUMBING SOLUTIONS 2-4 Enterprise Street Caloundra QLD 4551 Australia	<a href="http://www.plastec.com.au">www.plastec.com.au</a> Tel: 61 7 5413 4444 Fax: 61 7 5491 8918	UNSTATED TOLERANCES, LINEAR 0,0 ± 0,3 0,00 ± 0,15 0,000 ± 0,05 ANGULAR 0,0 ± 1° 0,00 ± 0,25°
	<b>IPLEX - 50 PP TRAP P LOW LEVEL</b>	
CAD FILE: 19810_IPLEX_50MM_P_TRAP		 DRAWN: A.Hobbs APPROVED: AP SHEET: 1 OF 1
CREATED IN Pro/ENGINEER. DIGITAL DATA AVAILABLE. DIMENSIONS IN MILLIMETRES. DO NOT SCALE.		
COPYRIGHT THIS DRAWING IS ISSUED BY PLASTEC AUSTRALIA PTY. LTD. ON THE UNDERSTANDING THAT IT IS STRICTLY CONFIDENTIAL AND WILL NOT BE REPRODUCED IN ANY WAY WITHOUT PRIOR PERMISSION.		<b>19810</b>