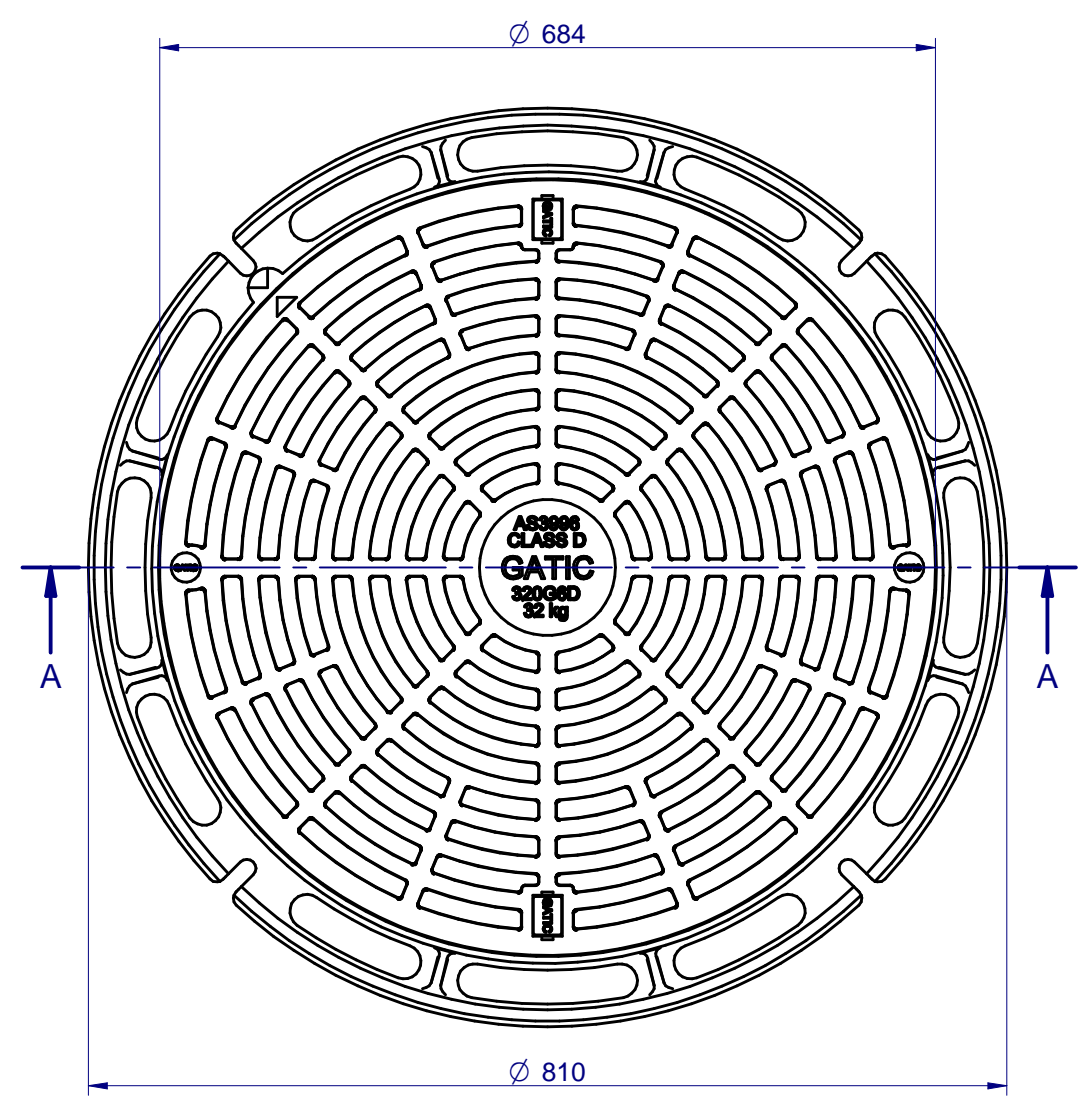
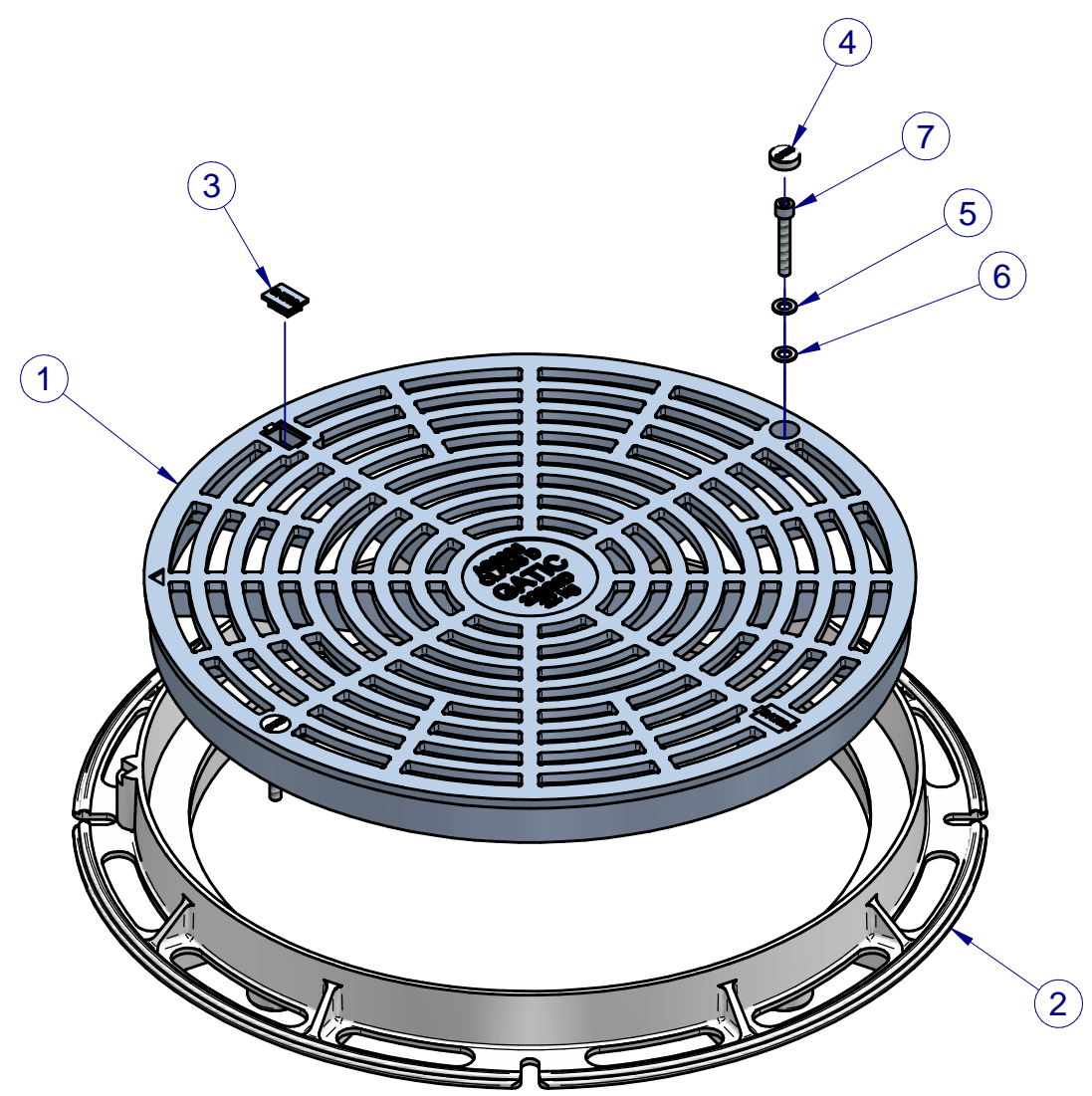
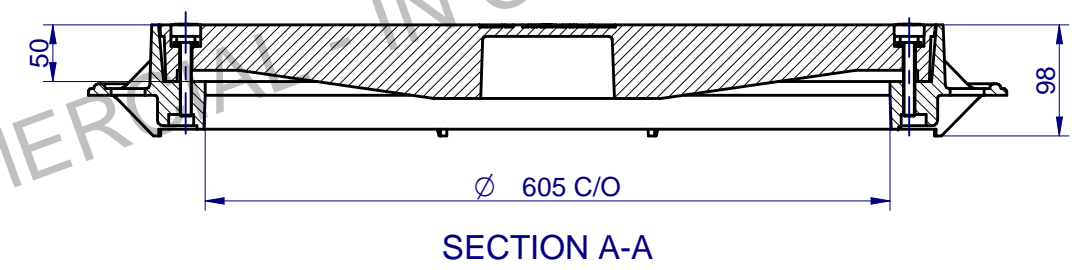


COMMERCIAL IN CONFIDENCE



Item No.	Document No.	Rev No.	Title	Material	Qty	Mass
1	4600	A	610 C/O Circular Grate Class D 210 kN	Ductile Iron 500-7	1	31.3
2	1981	F	Rocla Frame - Class B & D	Ductile Iron 500-7	1	25.1
3	1681	A	Plastic Keyhole Plug	UV Stabilized Nylon	2	0.0
4	2854	C	Plastic Plug Ø26 mm	UV Stabilized Nylon	2	0.0
5	2855	A	M10 Washer	Stainless Steel, 304	2	0.0
6	2856	A	M10 Washer	Nylon, general purpose	2	0.0
7	2857	A	M10x65 Socket Head Cap Bolt	Stainless Steel, 304	2	0.1

Copyright : Gatic Pty Ltd - 2011

REVISION	No	DATE	DESCRIPTION	BY	CKD.
A	1	21-09-12	INITIAL RELEASE.	S.F.	S.S.

UNLESS OTHERWISE STATED
 ALL MEASURES IN MILLIMETERS.
 GENERAL CAST TOLERANCES:
 CT9 to ISO 8062.
 CASTING RADII: 3 mm
 DRAFT TAPERS: 2°

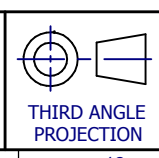
LINEAR MACHINING TOLERANCE:
 X. ±0.25 mm
 X.X ±0.10 mm

ANGULAR MACHINING TOLERANCE:
 X. ±0.5°
 X.X ±0.1°

NOM = Nominal; O/A = Overall; TYP = Typical; C/O = Clear Opening

FINISH: ALL CAST SURFACES TO BE PAINTED AS SPECIFIED.
 FABRICATED COMPONENTS TO BE HOT DIP GALVANISED TO AS/NZS 4680.
 LIGHT FILM OF GATIC SEALING GREASE TO BE APPLIED ON ALL MACHINED SURFACES.

GATIC
 GATIC PTY LTD
 9-15 Radford Road, PO Box 312, Reservoir VIC. 3073
 Ph- 03 9316 2666 Fax- 03 9315 0099 www.gatic.com.au



DESIGNED:	BY	DATE	SCALE:
S.F.	S.F.	21-09-12	N.T.S.
CHECKED:	BY	DATE	FORMAT:
S.S.	S.S.	21-09-12	A3
APPROVED:	BY	DATE	SHEET:
H.B.	H.B.	21-09-12	1 of 1

TITLE:	DRG. No:	REV:
610 C/O CIRCULAR GRATE & FRAME ASSEMBLY CLASS D	4601	A
MATERIAL:		MASS: 56.4 kg