



AVK SINGLE, DOUBLE, MULTI PART REPAIR CLAMP PN16/12

748

Repair clamps, PN16 to DN600 (720mm OD)
Range DN40 to DN1200
For use on Cast Iron, Ductile Iron, Steel, PVC-U, PVC-M, AC and copper pipes
Range extends beyond DN900 (For sizes and configuration not listed, please contact AVK)
Not recommended for use on HDPE

Use:

Pipelines used in water reticulation, sewage, wastewater and irrigation
Temperature range -10°C to 60°C
16 bar / 160 metres allowable operating pressure (AOP) to DN600
This product does not provide axial restraint and should not be used to join pipes

Standards and Approvals:

Manufacturing facility certified to ISO 9001 quality assurance standard
Fully conforming to AS/NZS 4181-2013 Stainless Steel clamps for waterworks purposes
Standards Licence Mark SMK 1785 to AS/NZS 4181-2013 to DN 300



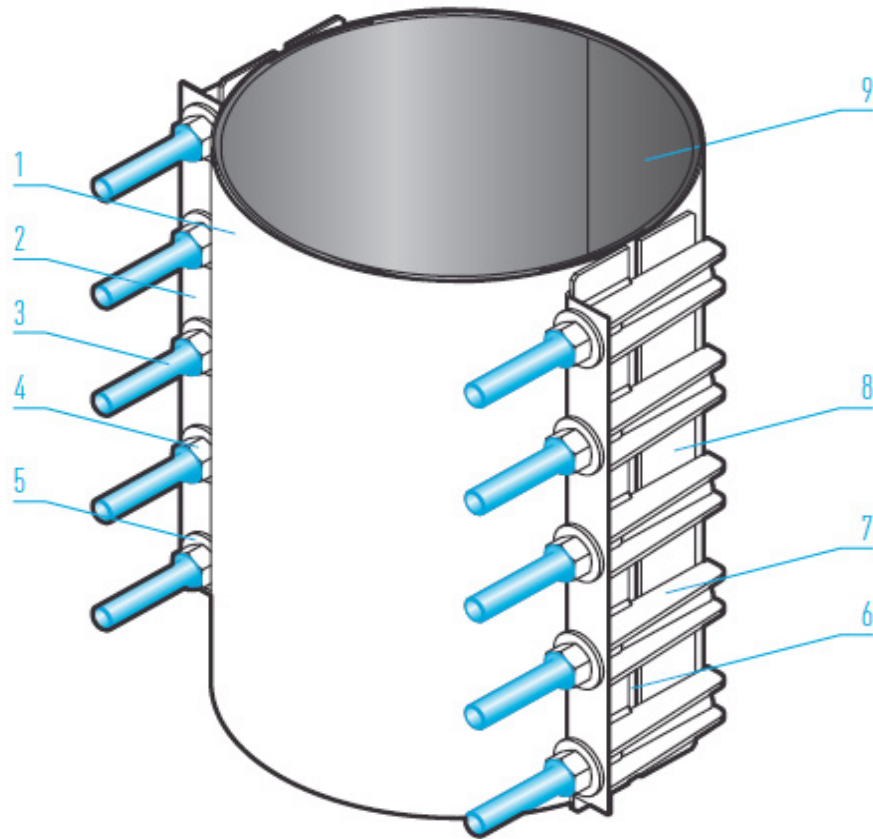
**SINGLE PART
REPAIR CLAMP**



**DOUBLE PART
REPAIR CLAMP**



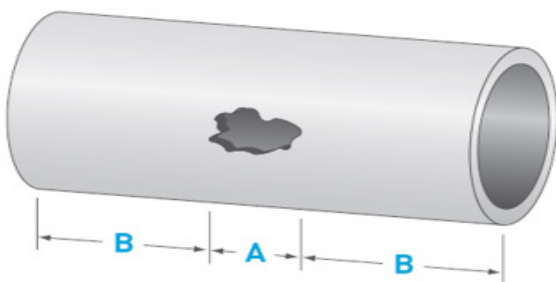
**MULTI PART
REPAIR CLAMP**



Component list

1. Skin	316 Stainless Steel / ASTM A240M	6. Bridge plate	316 Stainless Steel bonded to gasket / ASTM A240M
2. Locking plate	316 Stainless Steel / ASTM A240M	7. Lugs	316 Stainless Steel / ASTM A240M
3. Studs	316 Stainless Steel - anti-galling compound coated / ASTM A276	8. Flat bars	316 Stainless Steel / ASTM A276 or A240M
4. Nuts	316 Stainless Steel - anti-galling compound coated / AS 1112.1	9. Sealing gasket	Full-circle nitrile (NBR) compound AS 1646 and AS/NZS 4020
5. Washers	316 Stainless Steel / ISO 7089		

Components can be substituted with equivalent or higher class materials.



MINIMUM REQUIRED SEAL LENGTH 'B'

EXAMPLE: CALCULATING MINIMUM CLAMP LENGTH

You require a clamp to repair a DN 300 Sr.2 PVC pipe with a 100mm wide hole

- Determine the minimum required clamp length with formula $(A+2B)$.
 A = Damage dimension = 100mm
 B = Seal length (extract from table below) = 100mm
 Therefore MINIMUM clamp length = $(100 + [2 \times 100]) = 300\text{mm}$.

NOM. PIPE DIA. DN	MIN. SEAL LENGTH 'B' mm	STANDARD CLAMP LENGTHS mm
40 - 80	50	150
100 - 200	65	200
225 - 300	100	300
350 - 600	150	400

AVK SINGLE, DOUBLE, MULTI PART REPAIR CLAMP PN16/12

AVK ref. nos.	DN mm	PN	Material	Clamp length mm	Sealing range mm	No. of parts	No. of Studs
748-901-004701	40	PN16	316SS	150	47-52	1	2
748-901-004703	40	PN16	316SS	300	47-52	1	3
748-901-004704	40	PN16	316SS	400	47-52	1	5
748-901-005501	50	PN16	316SS	150	55-60	1	2
748-901-005901	50	PN16	316SS	150	59-64	1	2
748-901-005903	50	PN16	316SS	300	59-64	1	3
748-901-005904	50	PN16	316SS	400	59-64	1	5
748-901-006301	50	PN16	316SS	150	63-68	1	2
748-901-006302	50	PN16	316SS	200	63-68	1	2
748-901-006303	50	PN16	316SS	300	63-68	1	3
748-901-006901	50	PN16	316SS	150	69-74	1	2
748-901-006903	50	PN16	316SS	300	69-74	1	3
748-901-007502	50	PN16	316SS	200	75-80	1	2
748-901-007503	50	PN16	316SS	300	75-80	1	3
748-901-007504	65	PN16	316SS	400	75-80	1	5
748-901-007506	65	PN16	316SS	600	75-80	1	7
748-901-007501	80	PN16	316SS	150	75-80	1	2
748-901-007601	80	PN16	316SS	150	76-81	1	2
748-901-007606	80	PN16	316SS	600	76-81	1	7
748-901-007904	80	PN16	316SS	400	79-84	1	5
748-901-008002	80	PN16	316SS	200	80-87	1	2
748-901-008501	80	PN16	316SS	150	85-92	1	2
748-901-008502	80	PN16	316SS	200	85-92	1	2
748-901-008503	80	PN16	316SS	300	85-92	1	3
748-901-008504	80	PN16	316SS	400	85-92	1	5
748-901-008506	80	PN16	316SS	600	85-92	1	7
748-901-008801	80	PN16	316SS	150	88-95	1	2
748-901-008802	80	PN16	316SS	200	88-95	1	2
748-902-008802	80	PN16	316SS	200	88-95	2	4
748-901-008803	80	PN16	316SS	300	88-95	1	3
748-901-009501	80	PN16	316SS	150	95-102	1	2
748-901-009502	80	PN16	316SS	200	95-102	1	2
748-901-009503	80	PN16	316SS	300	95-102	1	3
748-901-009504	80	PN16	316SS	400	95-102	1	5
748-901-009506	80	PN16	316SS	600	95-102	1	7
748-901-010002	100	PN16	316SS	200	100-110	1	2
748-901-010003	100	PN16	316SS	300	100-110	1	3
748-901-010504	100	PN16	316SS	400	105-115	1	5
748-901-011002	100	PN16	316SS	200	110-120	1	2
748-901-011003	100	PN16	316SS	300	110-120	1	3
748-901-011004	100	PN16	316SS	400	110-120	1	5
748-901-011006	100	PN16	316SS	600	110-120	1	7
748-901-011308	100	PN16	316SS	800	113-123	1	10
748-901-011402	100	PN16	316SS	200	114-124	1	2
748-901-011403	100	PN16	316SS	300	114-124	1	3
748-901-011406	100	PN16	316SS	600	114-124	1	7
748-901-012002	100	PN16	316SS	200	120-130	1	2
748-901-012003	100	PN16	316SS	300	120-130	1	3
748-901-012004	100	PN16	316SS	400	120-130	1	5
748-901-012006	100	PN16	316SS	600	120-130	1	7
748-901-013002	100	PN16	316SS	200	130-140	1	2
748-901-013003	100	PN16	316SS	300	130-140	1	3
748-901-013503	100	PN16	316SS	300	135-145	1	3
748-901-014002	100	PN16	316SS	200	140-150	1	2
748-901-014003	125	PN16	316SS	300	140-150	1	3
748-901-014004	125	PN16	316SS	400	140-150	1	5
748-901-014006	125	PN16	316SS	600	140-150	1	7
748-901-014502	125	PN16	316SS	200	145-155	1	2
748-901-014503	125	PN16	316SS	300	145-155	1	3
748-901-014504	125	PN16	316SS	400	145-155	1	5
748-901-015002	150	PN16	316SS	200	150-160	1	2
748-901-015003	150	PN16	316SS	300	150-160	1	3
748-901-015006	150	PN16	316SS	600	150-160	1	7
748-901-015504	150	PN16	316SS	400	155-165	1	5
748-901-015503	150	PN16	316SS	300	155-165	1	3
748-901-015802	150	PN16	316SS	200	158-168	1	2
748-901-016002	150	PN16	316SS	200	160-170	1	2
748-901-016003	150	PN16	316SS	300	160-170	1	3

AVK ref. nos.	DN mm	PN	Material	Clamp length mm	Sealing range mm	No. of parts	No. of Studs
748-901-016004	150	PN16	316SS	400	160-170	1	5
748-901-016006	150	PN16	316SS	600	160-170	1	7
748-901-016802	150	PN16	316SS	200	168-178	1	2
748-901-016803	150	PN16	316SS	300	168-178	1	3
748-901-017502	150	PN16	316SS	200	175-185	1	2
748-901-017503	150	PN16	316SS	300	175-185	1	3
748-901-017504	150	PN16	316SS	400	175-185	1	5
748-901-017506	150	PN16	316SS	600	175-185	1	7
748-901-018002	150	PN16	316SS	200	180-190	1	2
748-901-018503	150	PN16	316SS	300	185-195	1	3
748-901-019002	150	PN16	316SS	200	190-200	1	2
748-901-019003	150	PN16	316SS	300	190-200	1	3
748-901-019006	150	PN16	316SS	600	190-200	1	7
748-901-019004	150	PN16	316SS	400	190-200	1	5
748-901-019502	150	PN16	316SS	200	195-205	1	2
748-901-019702	175	PN16	316SS	200	197-207	1	2
748-901-020002	200	PN16	316SS	200	200-210	1	2
748-901-020003	200	PN16	316SS	300	200-210	1	3
748-901-020004	200	PN16	316SS	400	200-210	1	5
748-901-020006	200	PN16	316SS	600	200-210	1	7
748-901-020503	200	PN16	316SS	300	205-215	1	3
748-901-020504	200	PN16	316SS	400	205-215	1	5
748-901-021002	200	PN16	316SS	200	210-220	1	2
748-901-021502	200	PN16	316SS	200	215-225	1	2
748-901-021503	200	PN16	316SS	300	215-225	1	3
748-901-021504	200	PN16	316SS	400	215-225	1	5
748-901-021506	200	PN16	316SS	600	215-225	1	7
748-901-021508	200	PN16	316SS	800	215-225	1	10
748-901-022502	200	PN16	316SS	200	225-235	1	2
748-901-022503	200	PN16	316SS	300	225-235	1	3
748-901-022506	200	PN16	316SS	600	225-235	1	7
748-901-023002	200	PN16	316SS	200	230-240	1	2
748-901-023003	200	PN16	316SS	300	230-240	1	3
748-901-023004	200	PN16	316SS	400	230-240	1	5
748-901-023006	200	PN16	316SS	600	230-240	1	7
748-901-024003	225	PN16	316SS	300	240-250	1	4
748-901-024504	225	PN16	316SS	400	245-255	1	5
748-901-024506	225	PN16	316SS	600	245-255	1	7
748-901-025002	225	PN12	316SS	200	250-260	1	2
748-901-025003	225	PN16	316SS	300	250-260	1	4
748-901-025004	225	PN16	316SS	400	250-260	1	5
748-901-025006	225	PN16	316SS	600	250-260	1	7
748-901-025503	225	PN16	316SS	300	255-265	1	4
748-901-025504	225	PN16	316SS	400	255-265	1	5
748-901-025508	225	PN16	316SS	800	255-265	1	10
748-901-026003	225	PN16	316SS	300	260-270	1	4
748-901-026004	225	PN16	316SS	400	260-270	1	5
748-901-026008	225	PN16	316SS	800	260-270	1	10
748-901-026006	225	PN16	316SS	600	260-270	1	7
748-901-026503	250	PN16	316SS	300	265-275	1	4
748-901-026506	250	PN16	316SS	600	265-275	1	7
748-901-027003	250	PN16	316SS	300	270-280	1	4
748-901-027004	250	PN16	316SS	400	270-280	1	5
748-901-027006	250	PN16	316SS	600	270-280	1	7
748-901-027008	250	PN16	316SS	800	270-280	1	10
748-901-027503	250	PN16	316SS	300	275-285	1	4
748-901-027504	250	PN16	316SS	400	275-285	1	5
748-901-027506	250	PN16	316SS	600	275-285	1	7
748-901-027508	250	PN16	316SS	800	275-285	1	10
748-902-027503	250	PN16	316SS	300	275-285	2	6
748-901-028003	250	PN16	316SS	300	280-290	1	4
748-901-028004	250	PN16	316SS	400	280-290	1	5
748-901-028503	250	PN16	316SS	300	285-295	1	4
748-901-028504	250	PN16	316SS	400	285-295	1	5
748-901-028506	250	PN16	316SS	600	285-295	1	7
748-901-029003	250	PN16	316SS	300	290-300	1	4
748-901-029503	250	PN16	316SS	300	295-305	1	4

AVK ref. nos.	DN mm	PN	Material	Clamp length mm	Sealing range mm	No. of parts	No. of Studs
748-901-029504	250	PN16	316SS	400	295-305	1	5
748-901-030003	300	PN16	316SS	300	300-310	1	4
748-901-030004	300	PN16	316SS	400	300-310	1	5
748-901-030006	300	PN16	316SS	600	300-310	1	7
748-901-030508	300	PN16	316SS	800	305-315	1	10
748-901-031003	300	PN16	316SS	300	310-320	1	4
748-901-031004	300	PN16	316SS	400	310-320	1	5
748-901-031006	300	PN16	316SS	600	310-320	1	7
748-901-031008	300	PN16	316SS	800	310-320	1	10
748-901-031503	300	PN16	316SS	300	315-325	1	4
748-901-031504	300	PN16	316SS	400	315-325	1	5
748-901-032002	300	PN16	316SS	200	320-330	1	2
748-901-032003	300	PN16	316SS	300	320-330	1	4
748-901-032004	300	PN16	316SS	400	320-330	1	5
748-901-032006	300	PN16	316SS	600	320-330	1	7
748-902-032203	300	PN16	316SS	300	322-342	2	6
748-901-032303	300	PN16	316SS	300	323-333	1	4
748-901-033003	300	PN16	316SS	300	330-340	1	4
748-901-033004	300	PN16	316SS	400	330-340	1	5
748-901-033006	300	PN16	316SS	600	330-340	1	7
748-901-033008	300	PN16	316SS	800	330-340	1	10
748-902-033004	300	PN16	316SS	400	330-350	2	10
748-902-033006	300	PN16	316SS	600	330-350	2	14
748-902-033008	300	PN16	316SS	800	330-350	2	20
748-901-034003	300	PN16	316SS	300	340-350	1	4
748-901-034004	300	PN16	316SS	400	340-350	1	5
748-901-034006	300	PN16	316SS	600	340-350	1	7
748-901-034008	300	PN16	316SS	800	340-350	1	10
748-902-034006	300	PN16	316SS	600	340-360	2	14
748-902-034008	300	PN16	316SS	800	340-360	2	20
748-902-034004	300	PN16	316SS	400	340-360	2	10
748-902-035004	300	PN16	316SS	400	350-370	2	10
748-902-035504	300	PN16	316SS	400	355-375	2	10
748-902-036006	300	PN16	316SS	600	360-380	2	14
748-902-036004	350	PN16	316SS	400	360-380	2	10
748-902-037004	350	PN16	316SS	400	370-390	2	10
748-902-037008	350	PN16	316SS	800	370-390	2	20
748-902-038006	350	PN16	316SS	600	380-400	2	14
748-902-038004	350	PN16	316SS	400	380-400	2	10
748-902-038504	375	PN16	316SS	400	385-405	2	10
748-902-039004	375	PN16	316SS	400	390-410	2	10
748-902-040004	375	PN16	316SS	400	400-420	2	10
748-902-040006	375	PN16	316SS	600	400-420	2	14
748-902-040008	375	PN16	316SS	800	400-420	2	20
748-902-041004	375	PN16	316SS	400	410-430	2	10
748-902-041006	375	PN16	316SS	600	410-430	2	14
748-902-041008	375	PN16	316SS	800	410-430	2	20
748-902-042008	375	PN16	316SS	800	420-440	2	20
748-902-042004	400	PN16	316SS	400	420-440	2	10
748-903-042006	400	PN16	316SS	600	420-450	3	21
748-902-043004	400	PN16	316SS	400	430-450	2	10
748-902-044006	400	PN16	316SS	600	440-460	2	14
748-902-044004	400	PN16	316SS	400	440-460	2	10
748-902-044504	400	PN16	316SS	400	445-465	2	10
748-902-045004	450	PN16	316SS	400	450-470	2	10
748-902-045006	450	PN16	316SS	600	450-470	2	14
748-902-045008	450	PN16	316SS	800	450-470	2	20
748-902-045504	450	PN16	316SS	400	455-475	2	10
748-902-047004	450	PN16	316SS	400	470-490	2	10
748-902-047006	450	PN16	316SS	600	470-490	2	14
748-902-048004	450	PN16	316SS	400	480-500	2	10
748-902-048008	450	PN16	316SS	800	480-500	2	20
748-902-049004	450	PN16	316SS	400	490-510	2	10
748-902-049006	450	PN16	316SS	600	490-510	2	14
748-902-049008	450	PN16	316SS	800	490-510	2	20
748-903-049004	450	PN16	316SS	400	490-520	3	15
748-903-049006	450	PN16	316SS	600	490-520	3	21
748-903-049008	450	PN16	316SS	800	490-520	3	30
748-902-050002	450	PN16	316SS	200	500-520	2	6

AVK ref. nos.	DN mm	PN	Material	Clamp length mm	Sealing range mm	No. of parts	No. of Studs
748-903-052006	450	PN16	316SS	600	520-550	3	21
748-903-052008	450	PN16	316SS	800	520-550	3	30
748-903-053004	500	PN16	316SS	400	530-560	3	15
748-903-054004	500	PN16	316SS	400	540-570	3	15
748-903-054006	500	PN16	316SS	600	540-570	3	21
748-903-054506	500	PN16	316SS	600	545-575	3	21
748-903-055004	500	PN16	316SS	400	550-580	3	15
748-903-056004	500	PN16	316SS	400	560-590	3	15
748-903-056006	500	PN16	316SS	600	560-590	3	21
748-903-057004	500	PN16	316SS	400	570-600	3	15
748-903-057008	500	PN16	316SS	800	570-600	3	30
748-903-058004	500	PN16	316SS	400	580-610	3	15
748-903-058006	500	PN16	316SS	600	580-610	3	21
748-903-058008	500	PN16	316SS	800	580-610	3	30
748-903-060004	600	PN16	316SS	400	600-630	3	15
748-903-060006	600	PN16	316SS	600	600-630	3	21
748-903-060008	600	PN16	316SS	800	600-630	3	30
748-903-061006	600	PN16	316SS	600	610-640	3	21
748-903-062004	600	PN16	316SS	400	620-650	3	15
748-903-062006	600	PN16	316SS	600	620-650	3	21
748-903-063004	600	PN16	316SS	400	630-660	3	15
748-903-063006	600	PN16	316SS	600	630-660	3	21
748-903-063008	600	PN16	316SS	800	630-660	3	30
748-903-065004	600	PN16	316SS	400	650-680	3	15
748-903-065006	600	PN16	316SS	600	650-680	3	21
748-903-065008	600	PN16	316SS	800	650-680	3	30
748-903-066006	600	PN16	316SS	600	660-690	3	21
748-903-068004	600	PN16	316SS	400	680-710	3	15
748-903-068504	600	PN16	316SS	400	685-715	3	15
748-903-069004	600	PN16	316SS	400	690-720	3	15
748-903-069006	600	PN16	316SS	600	690-720	3	21

*Sizes above DN 600 plus available upon request.