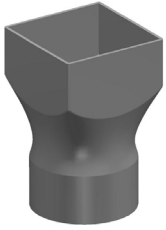


PVC NON PRESSURE SYSTEM

STORMWATER



W160758080 • DN75 x DN80 x DN80 Stormwater PVC-U Square Adaptor SWJ

APPLICATION Connects pipeline conveying rainwater or surface water to a rectangular downpipe.

FEATURES

- Australian Made
- BEP PVC - Manufactured from Best Environmental Practice PVC
- Installation Economics
- Operation Efficiencies
- Corrosion Resistant
- Tree root intrusion resistance

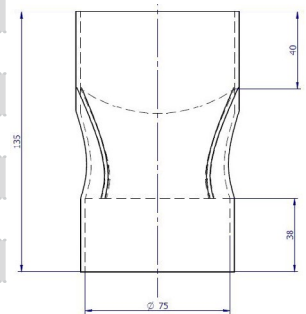
TECHNICAL DATA

PRODUCT PROPERTIES

Primary Material	PVC
Colour	White
Joint Type	SWJ
Allowable Operation Temperature - Degrees	50
Average # of Joints per Litre – Iplex Solvent	60
Average Number of Joints per Litre - Iplex Primer	180
Unprotected UV Exposure (years)	2 Years

PRODUCT DIMENSIONS

Rating	SN2
UOM	EA
Nominal	75mm
ID	75mm
Wall Thickness	1.6mm
Weight	0.14kg
Carton Qty	96
Carton Weight (kg)	13.824kg



ENVIRONMENTAL CREDENTIALS AND STANDARDS

Environmental Accreditation	Best Environmental PVC - PVC Certificate No. BEP-PVC 0037
Product Standard	AS/NZS 1254 "PVC-U Pipes and Fittings for Stormwater and Surface Water Applications"

MATERIAL PROPERTIES

MECHANICAL

Density Specific Gravity	1.47
Ultimate Tensile Strength	52MPa
Yield Strain	5.5%
Compressive Strength	66MPa
Tensile Modulus	2750MPa
Hardness Shore D	85
Poissons Ratio	0.38
Ring Bending Modulus (3mins)	3200MPa
Ring Bending Modulus (50Yrs)	1400MPa

THERMAL

Coefficient of Thermal Expansion	$7 \times 10^{-5}/^{\circ}\text{C}$
Thermal Conductivity	0.138W/m.K
Specific Heat	1047 J/kg/ $^{\circ}\text{C}$
Vicat Softening Temperature	75 $^{\circ}\text{C}$
Flammability	Will not support combustion
Fire Index – Ignitability	8
Fire Index – Smoke Development	8
Fire Index – Spread of Flame	0
Fire Index – Heat Evolved	1

©Copyright: Iplex Pty Ltd 2019 all rights reserved. All drawings and information contained thereon are the exclusive property of Iplex Pipelines. Unless specifically noted, this drawing and information enclosed are subject to change at any time. Measures are for reference purpose only. If critical please contact Iplex Pipelines.

